

FASO lining pipe



FASO lining pipes are the ideal product for secure and water-tight routing of media pipes through floors, ceilings and base slabs.



FASO lining pipe

The **FASO lining pipe** establishes a water-tight connection to the surrounding concrete and reliably prevents water ingress at the interface between the **FASO lining pipe** and the in-situ concrete.

Technical specifications:

Article number:	080210 to 080349
Colour:	Cement grey
Material:	Asbestos-free fibre cement (glass-fibre)
Density:	1.92 kg/dm ³
Reaction to fire:	A1
Weight:	2.40 – 255.00 kg
Service temperature range:	as for the surrounding concrete
Test certificate / approvals:	Test report MFPA Leipzig No.: UB 5.1 / 08-286
Pressure water-tightness:	5 bar

MASTERTEC GmbH & Co. KG

Gewerbegebiet Unterhaid · Im Maintal 13 · D-96173 Oberhaid · Tel.: +49 (0) 9503 5047-0 · Fax: +49 (0) 9503 5047-20 · info@mastertec.eu

Quellbänder · Fugenbleche · Injektionsschläuche · Schalöl · Harze · Mauerkragen · Rohrdurchführungen · Ringraumdichtungen · Blitzschutz · Trittschall · Mauersperrbahnen · Streckmetall

www.MASTERTEC.eu

Packing unit:

available singly

Storage:

dry

Disposal:

Can be disposed of at building material disposal sites, taking into account the local waste disposal regulations.

Sizes:

FASO inner Ø mm	outer Ø mm	Standard lengths											
		200 mm	240 mm	250 mm	300 mm	350 mm	365 mm	400 mm	500 mm	600 mm	800 mm	1000 mm	1200 mm
DN 80	120	080210	080211	080212	080213	080214	080215	080216	080217	080218	080918	080950	080219
Weight/pc.		2,4 kg	2,8 kg	3,0 kg	3,5 kg	4,1 kg	4,3 kg	4,7 kg	5,9 kg	7,0 kg	9,4 kg	11,7 kg	14,0 kg
DN 100	140	080220	080221	080222	080223	080224	080225	080226	080227	080228	080921	080952	080229
Weight/pc.		2,9 kg	3,4 kg	3,6 kg	4,3 kg	5,0 kg	5,2 kg	5,7 kg	7,0 kg	8,5 kg	11,4 kg	14,2 kg	17,0 kg
DN 125	165	080230	080231	080232	080233	080234	080235	080236	080237	080238	080922	080954	080239
Weight/pc.		2,9 kg	3,4 kg	3,6 kg	4,3 kg	5,0 kg	5,2 kg	5,7 kg	7,0 kg	8,5 kg	11,4 kg	14,2 kg	17,0 kg
DN 150	190	080240	080241	080242	080243	080244	080245	080246	080247	080248	080924	080956	080249
Weight/pc.		4,1 kg	4,9 kg	5,1 kg	6,1 kg	7,1 kg	7,4 kg	8,1 kg	10,1 kg	12,1 kg	16,2 kg	20,1 kg	24,2 kg
DN 200	250	080250	080251	080252	080253	080254	080255	080256	080257	080258	080926	080958	080259
Weight/pc.		6,5 kg	7,8 kg	8,1 kg	9,7 kg	11,3 kg	11,8 kg	12,9 kg	16,1 kg	19,3 kg	25,8 kg	32,2 kg	38,6 kg
DN 250	300	080260	080261	080262	080263	080264	080265	080266	080267	080268	080928	080960	080269
Weight/pc.		8,1 kg	9,7 kg	10,1 kg	12,1 kg	14,2 kg	14,8 kg	16,2 kg	20,2 kg	24,2 kg	32,3 kg	40,1 kg	48,4 kg
DN 300	350	080270	080271	080272	080273	080274	080275	080276	080277	080278	080930	080962	080279
Weight/pc.		9,8 kg	11,8 kg	12,3 kg	14,7 kg	17,1 kg	17,9 kg	19,6 kg	24,4 kg	29,3 kg	39,1 kg	48,9 kg	58,6 kg
DN 350	400	080280	080281	080282	080283	080284	080285	080286	080287	080288	080932	080964	080289
Weight/pc.		11,2 kg	13,4 kg	14,0 kg	16,7 kg	19,5 kg	20,4 kg	22,3 kg	27,9 kg	33,4 kg	44,6 kg	55,7 kg	66,8 kg
DN 400	460	080290	080291	080292	080293	080294	080295	080296	080297	080298	080934	080966	080299
Weight/pc.		15,4 kg	18,5 kg	19,3 kg	23,1 kg	26,9 kg	28,1 kg	30,8 kg	38,5 kg	46,1 kg	61,5 kg	76,9 kg	92,2 kg
DN 450	510	080300	080301	080302	080303	080304	080305	080306	080307	080308	080936	080968	080309
Weight/pc.		17,5 kg	21,0 kg	21,9 kg	26,2 kg	30,6 kg	31,9 kg	35,0 kg	43,7 kg	52,4 kg	69,6 kg	87,4 kg	104,8 kg
DN 500	570	080310	080311	080312	080313	080314	080315	080316	080317	080318	080938	080970	080319
Weight/pc.		22,4 kg	26,8 kg	28,0 kg	33,5 kg	39,1 kg	40,8 kg	44,7 kg	55,9 kg	67,0 kg	89,4 kg	111,7 kg	134,0 kg
DN 600	670	080320	080321	080322	080323	080324	080325	080326	080327	080328	080940	080972	080329
Weight/pc.		26,8 kg	32,1 kg	33,5 kg	40,1 kg	45,9 kg	48,8 kg	53,5 kg	66,9 kg	80,2 kg	107,0 kg	133,7 kg	160,4 kg
DN 700	780	080330	080331	080332	080333	080334	080335	080336	080337	080338	080942	080974	080339
Weight/pc.		38,0 kg	45,6 kg	47,5 kg	57,0 kg	66,5 kg	69,4 kg	76,0 kg	95,0 kg	114,0 kg	152,0 kg	190,0 kg	228,0 kg
DN 800	880	080340	080341	080342	080343	080344	080345	080346	080347	080348	080944	080976	080349
Weight/pc.		42,5 kg	51,0 kg	53,2 kg	63,8 kg	74,7 kg	77,6 kg	85,0 kg	106,3 kg	127,5 kg	170,0 kg	212,5 kg	255,0 kg

Delivery:

Up to DN 200, by parcel service with restrictions. Clarify shipping method.

Above DN 250 - freight company only

MASTERTEC GmbH & Co. KG

Gewerbegebiet Unterhaid · Im Maintal 13 · D-96173 Oberhaid · Tel.: +49 (0) 9503 5047-0 · Fax: +49 (0) 9503 5047-20 · info@mastertec.eu

Quellbänder · Fugenbleche · Injektionsschläuche · Schalöl · Harze · Mauerkragen · Rohrdurchführungen · Ringraumdichtungen · Blitzschutz · Trittschall · Mauersperrbahnen · Streckmetall

www.MASTERTEC.eu

Availability list:

FASO DN i (mm)	Standard lengths											
	200 mm	240 mm	250 mm	300 mm	350 mm	365 mm	400 mm	500 mm	600 mm	800 mm	1000 mm	1200 mm
DN 80	L	L	L	L	L	L	L	L	F	F	F	F
DN 100	L	L	L	L	L	L	L	L	F	F	F	F
DN 125	L	L	L	L	L	L	L	L	F	F	F	F
DN 150	L	L	L	L	L	L	L	L	F	F	F	F
DN 200	L	L	L	L	L	L	L	L	F	F	F	F
DN 250	L	L	L	L	L	L	L	L	F	F	F	F
DN 300	L	L	L	L	L	L	L	L	F	F	F	F
DN 350	F	F	F	F	F	F	F	F	F	F	F	F
DN 400	F	F	F	F	F	F	F	F	F	F	F	F
DN 450	F	F	F	F	F	F	F	F	F	F	F	F
DN 500	F	F	F	F	F	F	F	F	F	F	F	F
DN 600	F	F	F	F	F	F	F	F	F	F	F	F
DN 700	Fs	Fs	Fs	Fs	Fs	Fs	Fs	Fs	Fs	Fs	Fs	Fs
DN 800	Fs	Fs	Fs	Fs	Fs	Fs	Fs	Fs	Fs	Fs	Fs	Fs

L : ex stock

F : manufacture DN 80 - DN 600 (approx. 4 working days)

Fs : special manufacture DN 700 - DN 800 (approx. 8-10 working days)

All intermediate lengths available at short notice

DN 80 to DN 600 can be extended up to 1.60 m

Larger diameters (> DN 800) available on request

Further product characteristics

Pressure water-tight

Smooth inner walls

Inner walls can be coated

Bonds well with in-situ concrete

Exterior ribbing, not spiral-shaped

Split version available for retrofitting

MASTERTEC GmbH & Co. KG

Gewerbegebiet Unterhaid · Im Maintal 13 · D-96173 Oberhaid · Tel.: +49 (0) 9503 5047-0 · Fax: +49 (0) 9503 5047-20 · info@mastertec.eu

Quellbänder · Fugenbleche · Injektionsschläuche · Schalöl · Harze · Mauerkragen · Rohrdurchführungen · Ringraumdichtungen · Blitzschutz · Trittschall · Mauersperrbahnen · Streckmetall

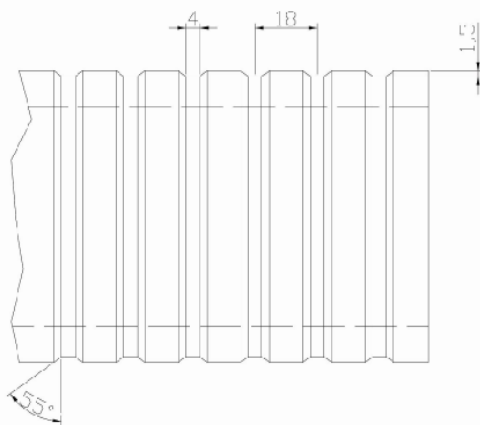
www.MASTERTEC.eu

Tolerances:

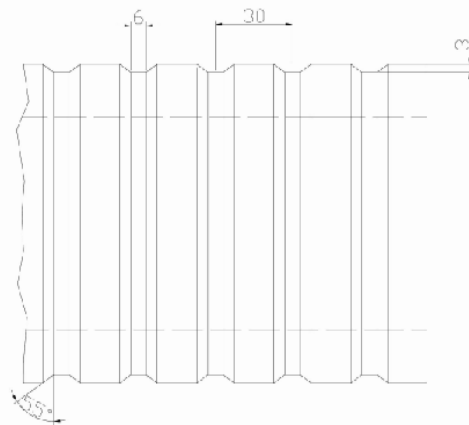
all dimensions in mm

Size	Inside diameter Nom. size	Tolerance	Outside diameter Nom. size	Tolerance	Max. core eccentricity	Length	Ribbing shape
DN 80	80	+2/-1	120	+5/-5	1.5	+/-3	A
DN 100	100	+2/-1	140	+5/-5	1.5	+/-3	A
DN 125	125	+2/-1	165	+5/-5	1.5	+/-3	B
DN 150	150	+2/-1	190	+5/-5	1.5	+/-3	B
DN 200	201	+2/-1	250	+5/-5	1.5	+/-3	B
DN 250	250	+2/-1	300	+5/-5	1.5	+/-3	B
DN 300	300	+2/-1	350	+5/-5	1.5	+/-3	B
DN 350	350	+2/-1	400	+5/-5	1.5	+/-3	B
DN 400	400	+2/-1	460	+5/-5	1.5	+/-3	B
DN 450	450	+2/-1	510	+5/-5	1.5	+/-3	B
DN 500	500	+2/-1	570	+5/-5	1.5	+/-3	B
DN 600	600	+3/-2	670	+5/-5	1.5	+/-3	B
DN 700	700	+3/-2	780	+5/-5	1.5	+/-3	B
DN 800	800	+3/-2	880	+5/-5	1.5	+/-3	B

Surface geometry



Ribbing shape A



Ribbing shape B

MASTERTEC GmbH & Co. KG

Gewerbegebiet Unterhaid · Im Maintal 13 · D-96173 Oberhaid · Tel.: +49 (0) 9503 5047-0 · Fax: +49 (0) 9503 5047-20 · info@mastertec.eu

Quellbänder · Fugenbleche · Injektionsschläuche · Schalöl · Harze · Mauerkragen · Rohrdurchführungen · Ringraumdichtungen · Blitzschutz · Trittschall · Mauersperrbahnen · Streckmetall

www.MASTERTEC.eu

Application:



The **FASO lining pipe** can be cemented in or installed in a wall opening.

The external ribbing and proper pre-wetting of the pipe during installation ensure a pressure water-tight pipe duct.

Fixing:



Our plastic closure plug offers a quick, effective and cost-efficient installation aid.

No need for additional shuttering work. Closure plugs are reusable.

We supply closure plugs in the following sizes:

DN 50, DN 80, DN 100, DN 125, DN 150, DN 200, DN 250, DN 300, DN 350 and DN 400

System-compliant sealing accessories:

Used in combination, our MASTER-Ring gasket inserts and MASTER-SEAL modular seals provide a system-compliant and tested sealing system.



MASTER-RING gasket insert



MASTER-SEAL modular seal

MASTERTEC GmbH & Co. KG

Gewerbegebiet Unterhaid · Im Maintal 13 · D-96173 Oberhaid · Tel.: +49 (0) 9503 5047-0 · Fax: +49 (0) 9503 5047-20 · info@mastertec.eu

Quellbänder · Fugenbleche · Injektionsschläuche · Schalöl · Harze · Mauerkragen · Rohrdurchführungen · Ringraumdichtungen · Blitzschutz · Trittschall · Mauersperrbahnen · Streckmetall

www.MASTERTEC.eu

Safety:

The **FASO lining pipe** does not contain any hazardous substances and poses no problems whatsoever in terms of handling and application. To the best of our knowledge, it contains no substances that are harmful to groundwater or could trigger health problems or allergic reactions in the installer.

Nonetheless, we recommend that an appropriate level of hygiene is observed during application and that hands are washed as a basic rule before meals.

Basic principles:

All dimensions and information in this data sheet reflect the results of the laboratory tests that have been carried out.

Deviations from the values determined by us under laboratory conditions are possible due to environmental and operating conditions beyond our control.

The data in this data sheet only applies for the product delivered by us.

The product data corresponds only to the specifications in Germany. Possible country-specific deviations are not taken into account here.

Disclaimer:

The technical information reflects our current knowledge of the FASO lining pipe. It is intended only as information for users. As we do not know the envisaged applications and installation conditions, it is the responsibility of the user to carefully check that the product is fit for purpose. Due to the different components at the installation site and the in-situ working conditions, MASTERTEC cannot provide any guarantee whatsoever for the result of the work. Claims arising from any legal relationship can only be recognised in the event of wilful intent or gross negligence, irrespective of the statements made here or advice provided verbally. In this case the user must prove that he has provided MASTERTEC in writing with all the information required to correctly assess the installation situation in good time. Subject to necessary product specifications or further developments. By providing this information MASTERTEC does not intend to infringe third-party rights. The latest data sheet in each case applies. Our corresponding terms and conditions of sale and delivery apply.

Version dated 10-2016

MASTERTEC GmbH & Co. KG

Gewerbegebiet Unterhaid · Im Maintal 13 · D-96173 Oberhaid · Tel.: +49 (0) 9503 5047-0 · Fax: +49 (0) 9503 5047-20 · info@mastertec.eu

Quellbänder · Fugenbleche · Injektionsschläuche · Schalöl · Harze · Mauerkragen · Rohrdurchführungen · Ringraumdichtungen · Blitzschutz · Trittschall · Mauersperrbahnen · Streckmetall

www.MASTERTEC.eu