

JOINT COVERS FOR EXPANSION JOINTS IN WALL AND FLOOR AREAS

FOR AGGRESSIVE MEDIA/IN HYGIENIC AREAS/
FOR REFURBISHMENT AND DRY-WALLING/AS FIELD LIMITATIONS



MIGUTEC

YOU FIRST.

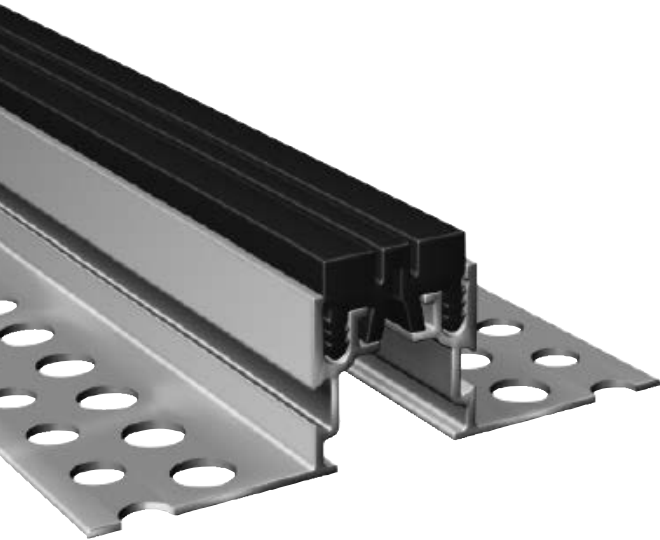
MIGUA is one of Europe's leading experts in the design, manufacture and installation of expansion joint systems. MIGUA expansion joint systems serve to cover, close and seal expansion joints. Our products satisfy the most rigorous standards in quality and safety and are widely used in large-scale construction projects such as airports, train stations, industrial plants, parking structures, shopping centres and hospitals. Every day, our experienced team do their utmost to ensure that our outstanding product quality and innovative approach make your building project successful. We are not satisfied until you are satisfied. Because our guiding principle is:

MIGUA – you first.

Over 600 products for one purpose:

Yours

With five brands and a total of over 600 proven expansion joint systems, we've got the diverse structural needs of today's construction projects covered. We confront problems such as heavy traffic loads and meet exacting standards in water resistance or hygiene. Floors, walls or roofs, MIGUA offers the perfect solution for any surface. Products of the highest quality are fundamental to our business; yet our ultimate priority is always customer satisfaction.



MIGUTEC

JOINT COVERS FOR
EXPANSION JOINTS

MIGUTRANS

HEAVY DUTY ALL-METAL
EXPANSION JOINT SOLUTIONS
FOR LARGE TRAFFIC LOADS

MIGUTAN

WATERTIGHT EXPANSION
JOINT SOLUTIONS

MIGUPREN

EXPANSION JOINT STRIPS TO SEAL JOINTS
WITH THREE-DIMENSIONAL MOVEMENT

MIGUMAX

SEISMIC RESISTANT
EXPANSION JOINT SOLUTIONS

360°

MIGUA 360° SERVICE

TABLE OF CONTENTS

Introducing MIGUTEC	4-5
Expansion joint covers according to areas of application alphabetically sorted	6-7
Expansion joint covers for floors	8-23
Joint covers for use with aggressive media	24-27
Joint covers for use in hygienic areas	28-41
Joint covers for refurbishment, renovation and modernisation	42-53
Joint covers for field limitations/cover joints	54-62
Joint cover connections, installation notes	63
Wall and ceiling expansion joint covers	64-78
Wall-connections, corner versions	79-80
Moulded parts – Examples	81

WITH MIGUTEC, MIGUA OFFERS A COMPREHENSIVE RANGE OF **JOINT COVERS AND SYSTEMS FOR EXPANSION JOINTS.**

Our MIGUTEC range covers a wide selection of joint covers for simple applications which also have high architectural requirements. We have divided our MIGUTEC catalogue in application areas to make it easier for you to find what you are looking for.

Our floor expansion joint covers are available with a variety of inserts and in various standard colours. On request, we will manufacture a special colour according to your requirements.

Brackets are made from a high-quality aluminium alloy in order to offer you a durable expansion joint cover even with low wall thicknesses. In addition, some of our joint covers also have stainless steel brackets in order offering a solution suitable for use where they may be subject to aggressive media loads.

Smooth inserts are suitable covers for the hygienic areas in hospitals, kitchens and swimming pools.

For the purpose of refurbishment, renovation and modernisation, the MIGUTEC range also contains expansion joint covers suitable for retrofitting.

Our wall and ceiling joint covers are offered with inserts, but also with a metal surface and a clip construction for simple installation.

Specifications regarding the load capacity

Pictogram					
Meaning	Pedestrians	Private cars	Lorries DIN 1072	Forklift trucks DIN 1055	Hard castors

The load specifications of air-filled and solid plastic tyre trucks apply to a wheel contact patch of 200 x 200 mm.

Note regarding installation

Assembly and installation instructions are available on request. Please feel free to contact us.

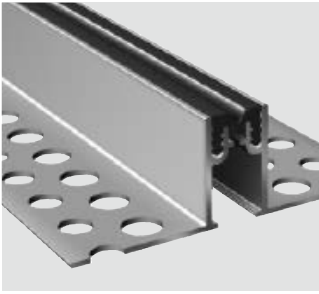
Alternatively, information can be downloaded from our website at www.migua.com

We reserve the right to make technical changes.

If you have any questions about our products, we would be happy to help.
+ 49 2058 774 0 or info@migua.de

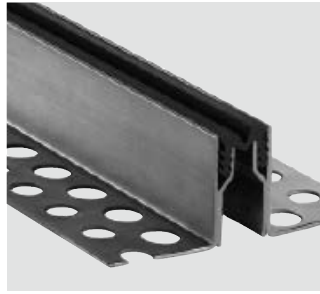


EXPANSION JOINTS ACCORDING TO AREAS OF APPLICATION



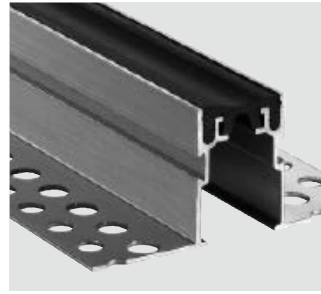
Expansion joint covers for floors

Aluminium brackets in conjunction with an elastic insert made of quality Synca. Inserts are available in many colours and types. The inserts are optimised for connection to carpet or plastic surfaces. Some of the expansion joint covers are available with stainless steel or brass caps. This type of joint is frequently used in screed in combination with tiles and various coverings such as a carpet or plastic flooring.



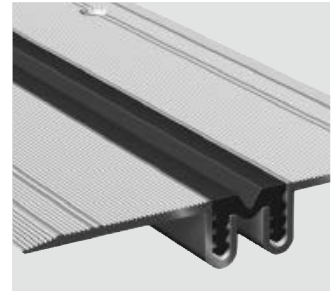
Expansion joint covers for aggressive media

Stainless steel brackets made from various alloys (1.4301 and 1.4541), for various loads, combined with inserts for various movements thus ensuring good durability with regard to aggressive media. We would be happy to examine the suitability for your needs based on the type and concentration of the media used. Please contact us.



Expansion joint covers for hygienic areas

Various smooth inserts in combination with a variety of different brackets made from aluminium or stainless steel. The smooth inserts have been designed specifically for hygienic areas in hospitals, kitchens and swimming pools and are both anti-bacterial and physiologically safe.



Expansion joint covers for refurbishment, renovation and modernisation

Brackets for affixing to the surface, for subsequent installation, form the basis for this area of use. Inserts made from quality Synca. Inserts are available in many colours and types. Some expansion joint cover types are also available with inserts for connection to carpet or plastic floorings.

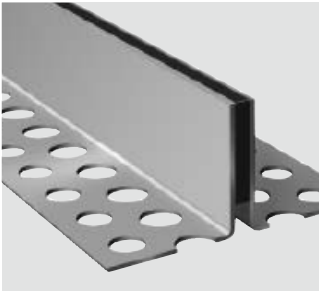
Produit	Page
FL 21	8
FLK 21	9
FLT 21	10
FV 35	11
FV 41	12
FK 35	13
FT 35	14
FP 55 / FK 55	15
FP 55 – 4S	16
FP 55 MS / FP 55 NI	17
FP 55 MS–4S /	
FP 55 NI–4S	18
FP 65	19
FP 65 NI / FP 65 MS	20
FP 85	21
FP 105	22
FP 55 B (NI) 4S	23

Produit	Page
ES 20	24
ES 33	25
ES 39	26
ES 60	27

Produit	Page
FLG 21	28
FPG 26 NI	29
FG 35	30
FG 41	31
FPG 55	32
FGH 65	33
FGH 2.0	34
ESG 20	35
ESG 33	36
ESG 39	37
ESG 60	38
FNG 20	39
FNG 35	40
FNG 41	41
FNG 50	42

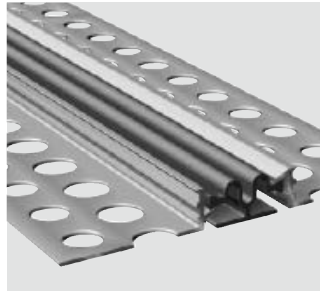
Produit	Page
FN 20	43
FKN 20	44
FTN 20	45
FN 35	46
FN 41	47
FKN 35	48
FTN 35	49
FN 50	50
FKN 50	51
FN 58	52
FN 65 / FN 85	53
FN 110	54

EXPANSION JOINTS IN ALPHABETICAL ORDER



Expansion joint covers for field limitations/control joints

In order to counteract tension in the upper floor, it is necessary to divide the floor into fields. Field limitations/shrinkage joints can be used to reduce these tensions. MIGUA offers expansion joint covers constructions designed specifically for this application. They meet both the optical and functional requirements of the task.



Wall and ceiling joints

MIGUA expansion joint covers for walls and ceilings include a variety of different covers for areas with plaster, tiles, dry-wall, cement, suspended ceilings and facades. Some of the covers are made up of aluminium brackets with elastic inserts. In addition, MIGUA also offers further joints with metal, plastic or Snyca covers.

Produit	Page
ESF-L 9 AL	55
ESF-U 10 AL	56
ESF-L 10 ES	57
ESF-U 10 ES	58
ESF 22 NI	59
ESF 10 AL	60
ESF 16 AL	61
ESF 27 AL	62
ESF 37 AL	63

Produit	Page
D 12 / DE 12	65
D 15 / DE 15	66
D 20 / DE 20	67
FA 25 / FAE 25	68
FA 12	69
DF 35 / DF 41 / DF 50 / DF 58	70
WP 255/22	71
WPK 50	72
WPK 100	73
KF 55 / KFE 55	74
KF 250 / KFE 250	75/76
FB 20	77
CP 50/25	78
FA 15 / FA 135	79

Produit	Page
CP 50/25	78
D 12 / DE 12	65
D 15 / DE 15	66
D 20 / DE 20	67
DF 35 / DF 41 / DF 50 / DF 58	70
ES 20	24
ES 33	25
ES 39	26
ES 60	27
ESF-L 9 AL	55
ESF-L 10 ES	57
ESF-U 10 AL	56
ESF-U 10 ES	58
ESF 10 AL	60
ESF 16 AL	61
ESF 22 NI	59
ESF 27 AL	62
ESF 37 AL	63
ESG 20	35
ESG 33	36
ESG 39	37
ESG 60	38
FA 12	69
FA 15 / FA 135	79
FA 25 / FAE 25	68
FB 20	77
FG 35	30
FG 41	31
FGH 2.0	34
FGH 65	33
FK 35	13
FKN 20	44
FKN 35	48
FKN 50	51
FL 21	8
FLG 21	28
FLK 21	9

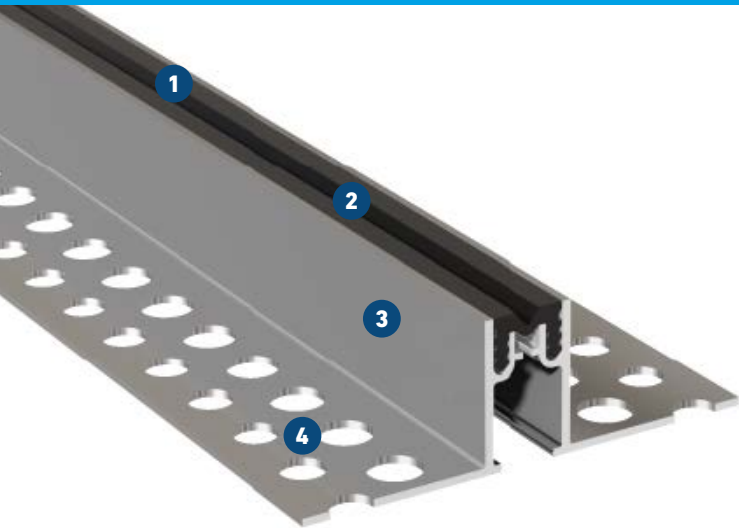
Produit	Page
FLT 21	10
FN 20	43
FN 35	46
FN 41	47
FN 50	50
FN 58	52
FN 65 / FN 85	53
FN 110	54
FNG 20	39
FNG 35	40
FNG 41	41
FNG 50	42
FP 55 - 4S	16
FP 55 B (NI) 4S	23
FP 55 / FK 55	15
FP 55 MS-4S /	
FP 55 NI-4S	18
FP 55 MS / FP 55 NI	17
FP 65	19
FP 65 NI / FP 65 MS	20
FP 85	21
FP 105	22
FPG 26 NI	29
FPG 55	32
FT 35	14
FTN 20	45
FTN 35	49
FV 35	11
FV 41	12
KF 55 / KFE 55	74
KF 250 / KFE 250	75/76
WP 255/22	71
WPK 50	72
WPK 100	73

FL 21



FOR FLOORS AND WALLS.

MIGUTEC

JOINT COVERS FOR EXPANSION JOINTS



- 1 Flexible high quality elastomeric insert**
Hard wearing, temperature resistant (-30°C to +120°C), replaceable
- 2 Multi directional movement**
Quick and easy installation
- 3 Solid, but light aluminium brackets for quick installation**
in screed or tiled floorings
- 4 MultiHole mounting bracket**
for secure fixing

Expansion joint cover	Joint width	Total movement	Visible width	Joint width total	Joint height	Load bearing capacity  [kN]	Load bearing capacity*  [kN]
	$b_f \text{ max}$ [mm]	Δb_f [mm]	b_s [mm]	b_t [mm]	h [mm]		
FL 21/20	20	5(+3/-2)	21	80	20	30	30
FL 21/35	20	5(+3/-2)	21	107	35	30	30
FL 21/50	20	5(+3/-2)	21	107	50	30	30

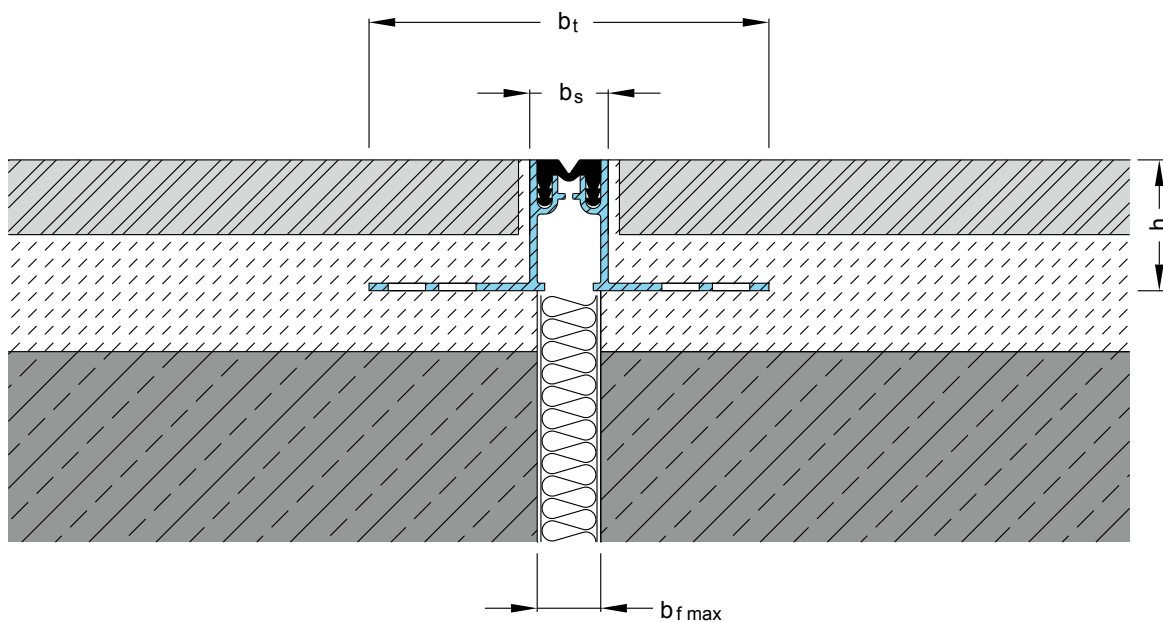
No continuous use

All information on load bearing capacity does only apply to non-floating floors.

For installation in asphalt, please ask for our technical advice.

Production length: 4 m

Standard colors: black, grey

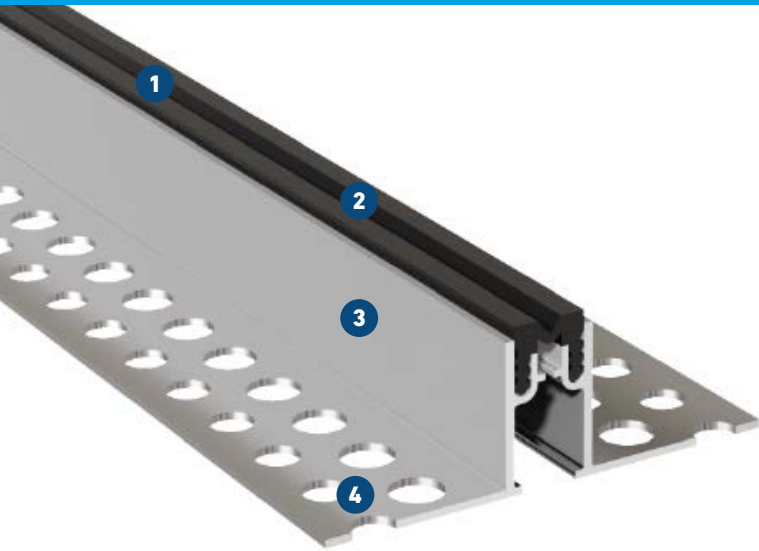


FLK 21

FOR FLOORS WITH PVC OR LINOLEUM

MIGUTEC

JOINT COVERS FOR EXPANSION JOINTS



- 1 Flexible high quality elastomeric insert**
Hard wearing, temperature resistant (-30°C to +120°C), replaceable
- 2 Multi directional movement**
- 3 Quick and easy installation**
Solid, but light aluminium brackets for quick installation in floorings with PVC or linoleum coverings (insert with 3 mm upstand, weldable)
- 4 MultiHole mounting bracket**
for secure fixing

Expansion joint cover	Joint width	Total movement	Visible width	Joint width total	Joint height	for coverings	Load bearing capacity	Load bearing capacity*
	$b_f \text{ max}$ [mm]	Δb_f [mm]	b_s [mm]	b_t [mm]	h [mm]	thickness [mm]	[kN]	[kN]
FLK 21/20	20	5(+3/-2)	17	80	20	3	30	30
FLK 21/35	20	5(+3/-2)	17	107	35	3	30	30
FLK 21/50	20	5(+3/-2)	17	107	50	3	30	30

No continuous use

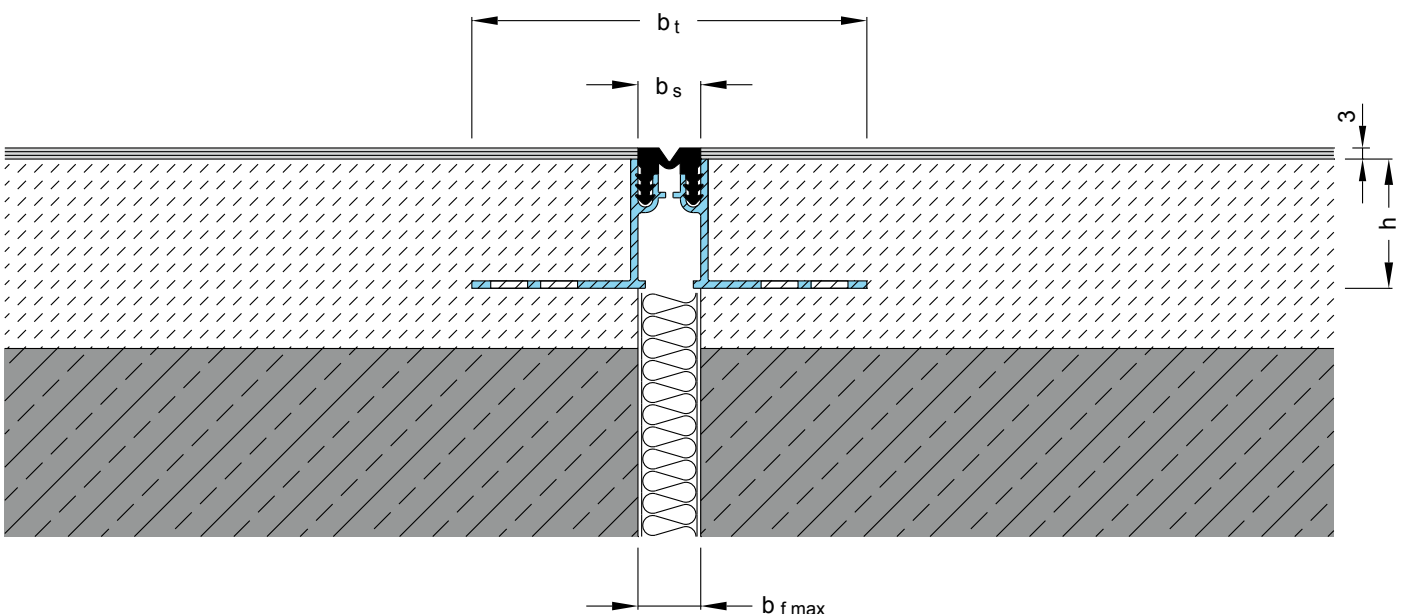
All info on load capacities apply to doweled, not to floating installation.

For installation in asphalt, please ask for our technical advice.

Expansion joint covers of series FLK 21 are supplied with flush mounted distance insert of FL 21. The top edge of the aluminium joint cover can be used as a screeding guide. The distance insert protects the expansion joint cover until covering is laid. This method avoids damage of joint cover caused by site traffic.

Production length: 4 m

Standard colour: Grey

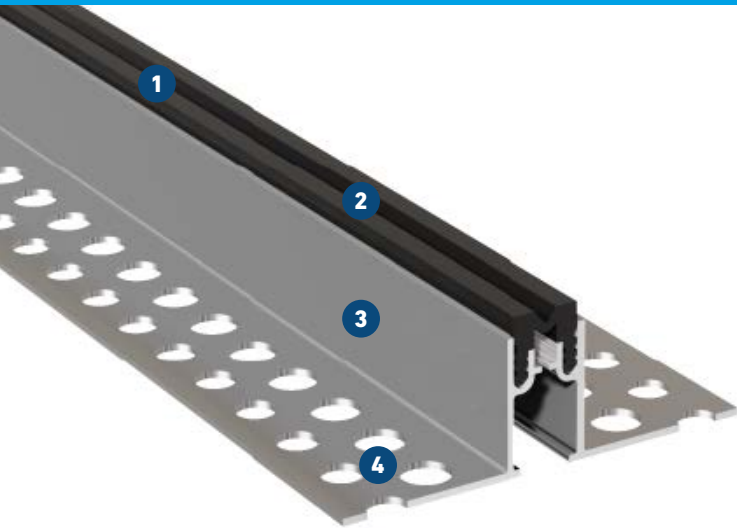


FLT 21

FOR FLOORS WITH CARPET

MIGUTEC

JOINT COVERS FOR EXPANSION JOINTS



- 1 Flexible high quality elastomeric insert**
Hard wearing, temperature resistant (-30°C to +120°C), replaceable
- 2 Multi directional movement**
- 3 Quick and easy installation**
Solid, but light aluminium brackets for quick installation in floorings with carpet or rubber coverings (insert with 5 mm upstand, weldable)
- 4 MultiHole mounting bracket**
for secure fixing

Expansion joint cover	Joint width	Total movement	Visible width	Joint width total	Joint height	for coverings	Load bearing capacity	Load bearing capacity*
	$b_f \text{ max}$ [mm]	Δb_f [mm]	b_s [mm]	b_t [mm]	h [mm]	thickness [mm]	 [kN]	 [kN]
FLT 21/20	20	5(+3/-2)	17	80	20	5	30	30
FLT 21/35	20	5(+3/-2)	17	107	35	5	30	30
FLT 21/50	20	5(+3/-2)	17	107	50	5	30	30

No continuous use

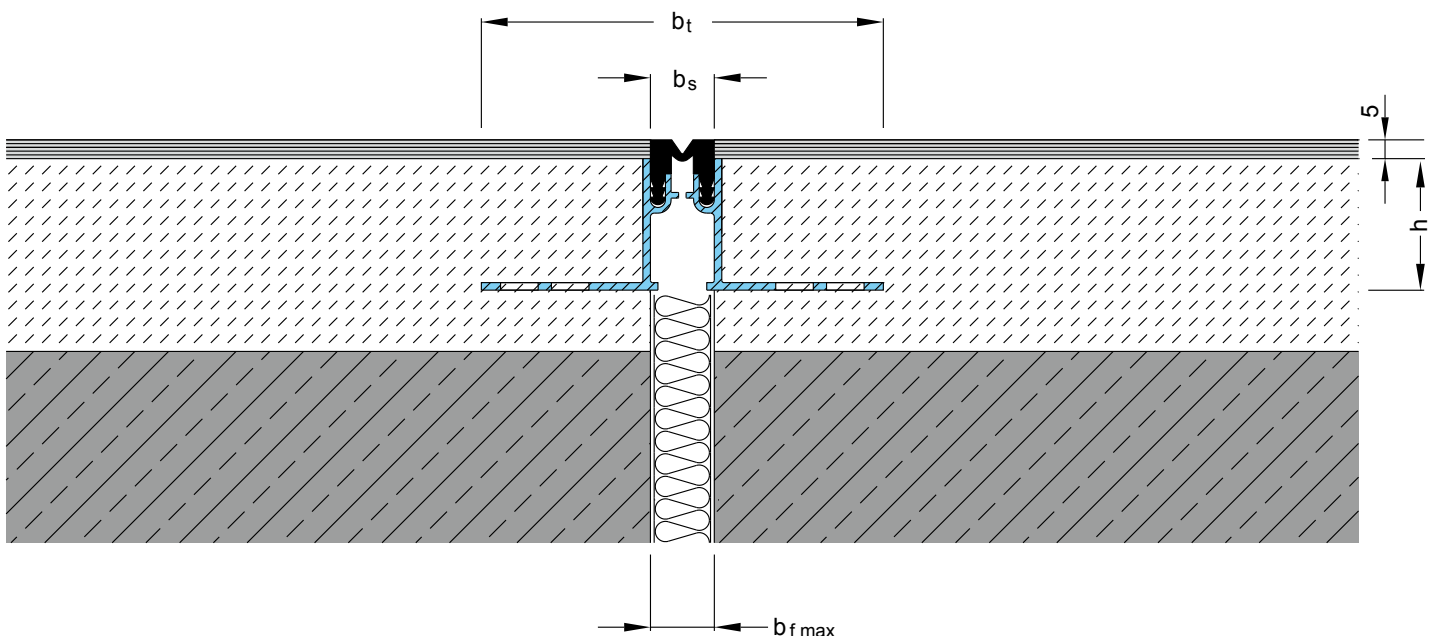
All information on load bearing capacity does only apply to non-floating floors.

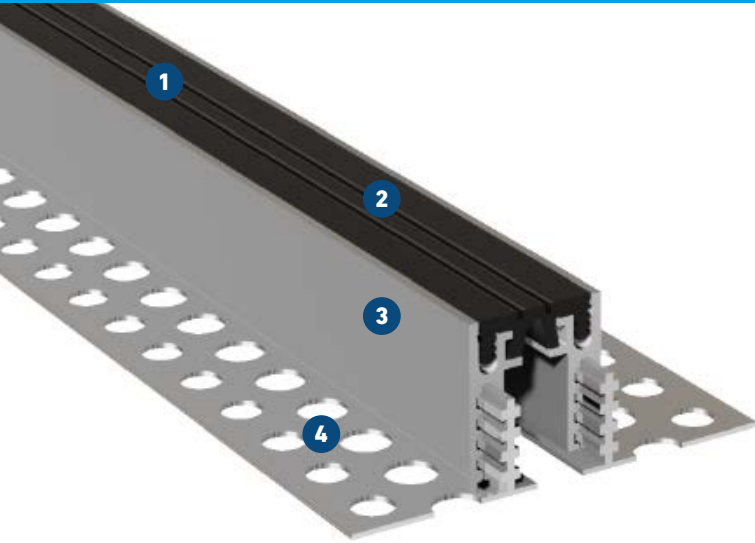
For installation in asphalt, please ask for our technical advice.

Expansion joint covers of series FLT 21 are supplied with flush mounted distance insert of FL 21. The top edge of the aluminium joint cover can be used as a screeding guide. The distance insert protects the joint cover until covering is laid. This method avoids damage caused by site traffic.

Production length: 4 m

Standard colors: black, grey





- 1 Flexible high quality elastomeric insert**
Hard wearing, temperature resistant (-30°C to +120°C), replaceable
- 2 Multi directional movement**
- 3 Quick and easy installation**
Solid, but light aluminium brackets for quick installation in screed or tiled floorings
- 4 MultiHole mounting bracket**
for secure fixing

Flexible adaptation to site conditions
Available with adjustable installation height

Expansion joint cover	Joint width	Total movement	Visible width	Joint width total	Joint height	Load bearing capacity	Load bearing capacity*
	$b_f \text{ max}$ [mm]						
FV 35/15	30	10 (± 5)	35	108	15	30	30
FV 35/20	30	10 (± 5)	35	108	20	30	30
FV 35/25	30	10 (± 5)	35	108	25	30	30
FV 35/35	30	10 (± 5)	35	125	35	30	30
FV 35/50	30	10 (± 5)	35	125	50	30	30
FV 35/4055	30	10 (± 5)	35	108	40, 45, 50, 55	30	30
FV 35/6075	30	10 (± 5)	35	108	60, 65, 70, 75	30	30
FV 35/7590	30	10 (± 5)	35	108	75, 80, 85, 90	30	30
FV 35/90105	30	10 (± 5)	35	108	90, 95, 100, 105	30	30

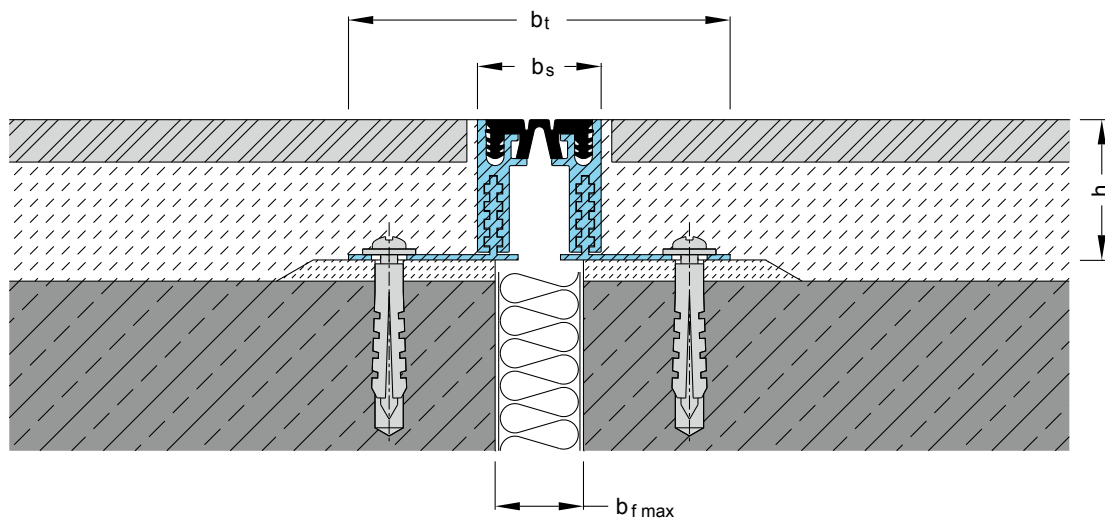
No continuous use

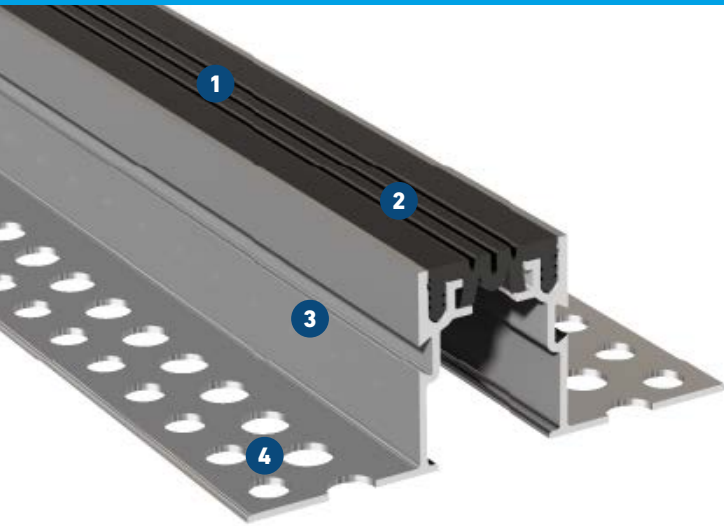
All info on load capacities apply to doweled, not to floating installation.

For installation in asphalt, please ask for our technical advice.

Production length: 4 m

Standard colors: black, grey, beige, brown





- 1 Flexible high quality elastomeric insert**
Hard wearing, temperature resistant (-30°C to +120°C), replaceable
- 2 Multi directional movement**
- 3 Quick and easy installation**
Solid, but light aluminium brackets for quick installation in screed or tiled floorings
- Flexible adaptation to site conditions**
Available with adjustable installation height
- 4 MultiHole mounting bracket**
for secure fixing

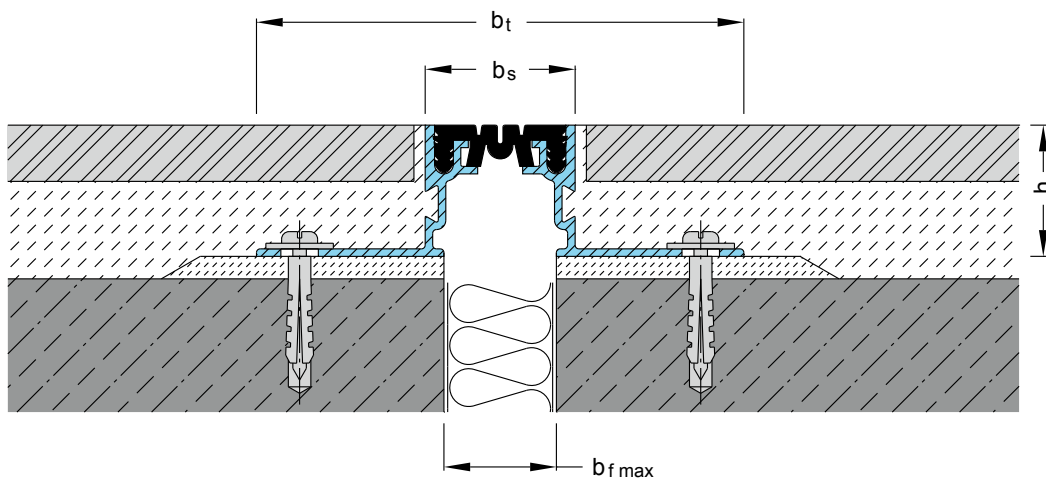
Expansion joint cover	Joint width	Total movement	Visible width	Joint width total	Joint height	Load bearing capacity  [kN]	Load bearing capacity*  [kN]
	$b_f \text{ max}$ [mm]	Δb_f [mm]	b_s [mm]	b_t [mm]	h [mm]		
FV 41/15	35	14 (± 7)	41	114	15	30	30
FV 41/20	35	14 (± 7)	41	114	20	30	30
FV 41/25	35	14 (± 7)	41	114	25	30	30
FV 41/35	35	14 (± 7)	41	131	35	30	30
FV 41/50	35	14 (± 7)	41	131	50	30	30
FV 41/4055	35	14 (± 7)	41	114	40, 45, 50, 55	30	30
FV 41/6075	35	14 (± 7)	41	114	60, 65, 70, 75	30	30
FV 41/7590	35	14 (± 7)	41	114	75, 80, 85, 90	30	30
FV 41/90105	35	14 (± 7)	41	114	90, 95, 100, 105	30	30

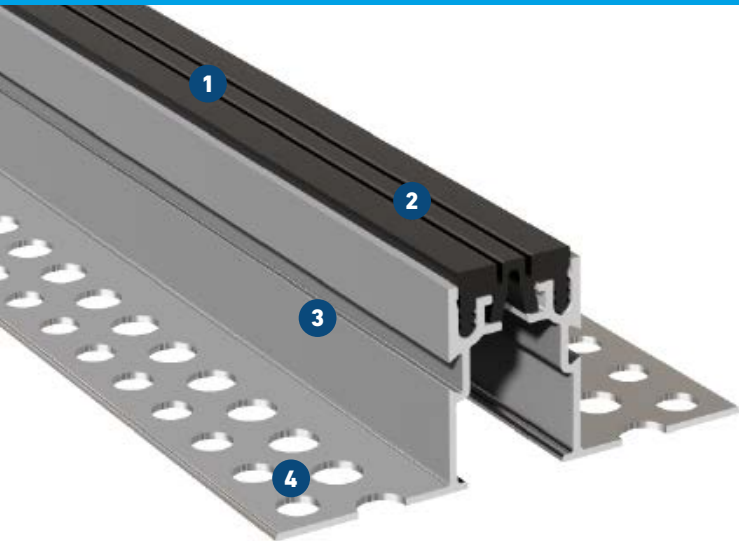
No continuous use

All info on load capacities apply to doweled, not to floating installation.
For installation in asphalt, please ask for our technical advice.


Production length: 4 m

Standard colors: black, grey, beige





- 1 Flexible high quality elastomeric insert**
Hard wearing, temperature resistant (-30°C to +120°C), replaceable
- 2 Multi directional movement**
- 3 Quick and easy installation**
Solid, but light aluminium brackets for quick installation in floorings with PVC or linoleum coverings (insert with 3 mm upstand, weldable)
- MultiHole mounting bracket**
for secure fixing
- 4 Flexible adaptation to site conditions**
Available with adjustable installation height

Expansion joint cover	Joint width	Total movement	Visible width	Joint width total	Joint height	for coverings	Load bearing capacity* 
	$b_f \text{ max}$ [mm]	Δb_f [mm]	b_s [mm]	b_t [mm]	h [mm]	thickness [mm]	
FK 35/15	30	10 (± 5)	30	108	15	3	30
FK 35/20	30	10 (± 5)	30	108	20	3	30
FK 35/25	30	10 (± 5)	30	108	25	3	30
FK 35/35	30	10 (± 5)	30	125	35	3	30
FK 35/50	30	10 (± 5)	30	125	50	3	30
FK 35/4055	30	10 (± 5)	30	108	40, 45, 50, 55	3	30
FK 35/6075	30	10 (± 5)	30	108	60, 65, 70, 75	3	30
FK 35/7590	30	10 (± 5)	30	108	75, 80, 85, 90	3	30
FK 35/90105	30	10 (± 5)	30	108	90, 95, 100, 105	3	30

No continuous use

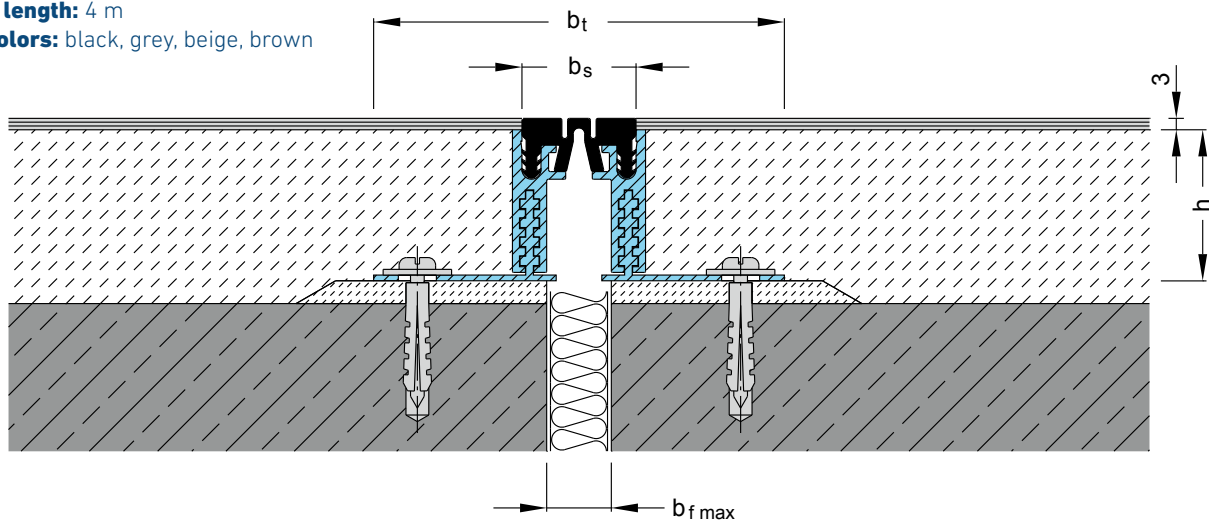
All info on load capacities apply to doweled, not to floating installation.

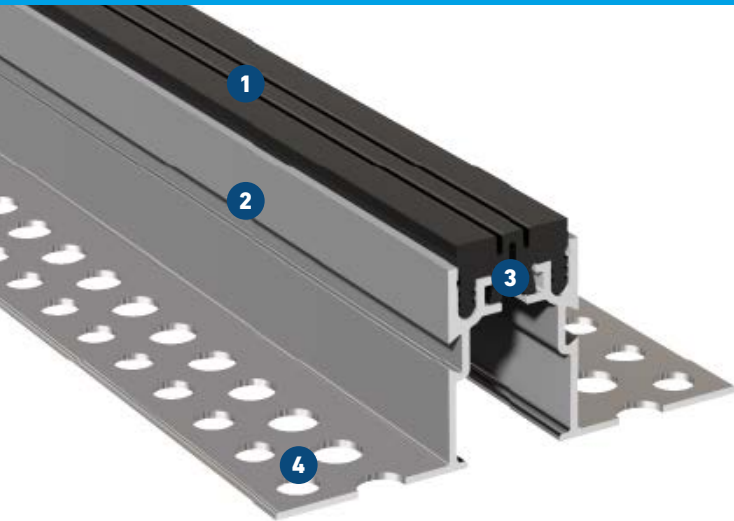
For installation in asphalt, please ask for our technical advice.

Expansion joints covers of series FT 35 are supplied with flush mounted distance insert of FV 35. The top edge of the aluminium joint can be used as a screeding guide. The distance insert protects the expansion joint covers until covering is laid. This method avoids damage of profile caused by site traffic.

Production length: 4 m

Standard colors: black, grey, beige, brown





- 1 Flexible high quality elastomeric insert**
Hard wearing, temperature resistant (-30°C to +120°C), replaceable
- 2 Quick and easy installation**
Solid, but light aluminium brackets for quick installation in floorings with PVC or linoleum coverings (insert with 3 mm upstand, weldable)
- 3 Multi directional movement**
MultiHole mounting bracket for secure fixing
- 4 Flexible adaptation to site conditions**
Available with adjustable installation height

Expansion joint cover	Joint width	Total movement	Visible width	Joint width total	Joint height	for coverings	Load bearing capacity	Load bearing capacity*
	$b_f \text{ max}$ [mm]							
FT 35/15	30	10 (± 5)	30	108	15	5	30	30
FT 35/20	30	10 (± 5)	30	108	20	5	30	30
FT 35/25	30	10 (± 5)	30	108	25	5	30	30
FT 35/35	30	10 (± 5)	30	125	35	5	30	30
FT 35/50	30	10 (± 5)	30	125	50	5	30	30
FT 35/4055	30	10 (± 5)	30	108	40, 45, 50, 55	5	30	30
FT 35/6075	30	10 (± 5)	30	108	60, 65, 70, 75	5	30	30
FT 35/7590	30	10 (± 5)	30	108	75, 80, 85, 90	5	30	30
FT 35/90105	30	10 (± 5)	30	108	90, 95, 100, 105	5	30	30

No continuous use

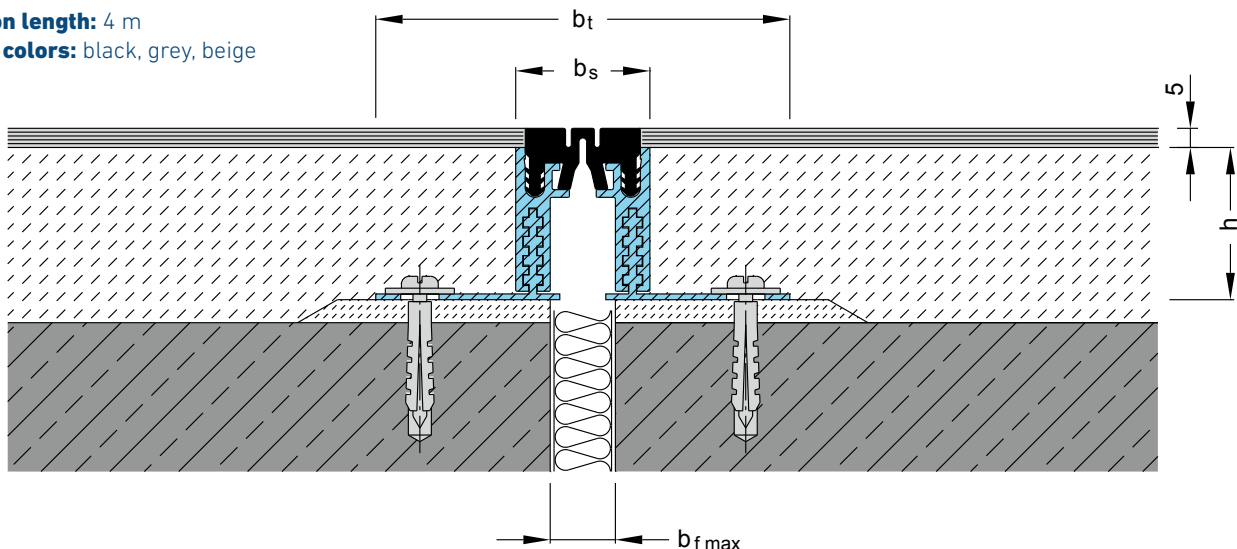
All info on load capacities apply to doweled, not to floating installation.

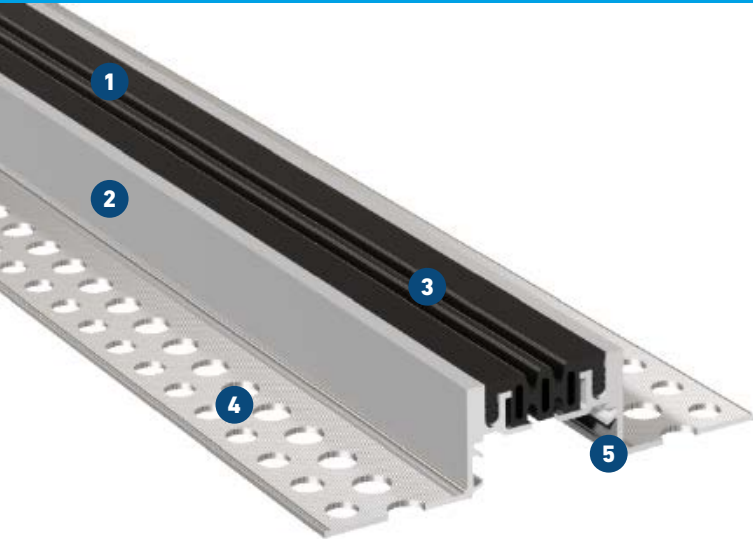
For installation in asphalt, please ask for our technical advice.

Expansion joint covers of series FT 35 are supplied with flush mounted distance insert of FV 35. The top edge of the aluminium joint cover can be used as a screeding guide. The distance insert protects the joint cover until covering is laid. This method avoids damage caused by site traffic.



Production length: 4 m

Standard colors: black, grey, beige





- 1 Flexible high quality elastomeric insert**
Hard wearing, temperature resistant (-30°C to +120°C), replaceable
available in flush version and with 3 mm upstand (as FK 55)
- 2 High load capacity due to sturdy construction**
Solid aluminium brackets
- 3 Multi directional movement**
- 4 MultiHole mounting bracket**
for secure fixing
- 5 Quick and easy installation**
Positive connection of production lengths by means of connection pieces

Expansion joint cover	Joint width	Total movement	Visible width	Joint width total	Joint height	Load bearing capacity  [kN]	Load bearing capacity*  [kN]
	$b_f \text{ max}$ [mm]	Δb_f [mm]	b_s [mm]	b_t [mm]	h [mm]		
FP 55/20	50	16 (± 8)	55	150	20	30	300
FP 55/25	50	16 (± 8)	55	150	25	30	300
FP 55/35	50	16 (± 8)	55	150	35	30	300
FP 55/50	50	16 (± 8)	55	150	50	30	300
FP 55/75	50	16 (± 8)	55	150	75	30	300

No continuous use

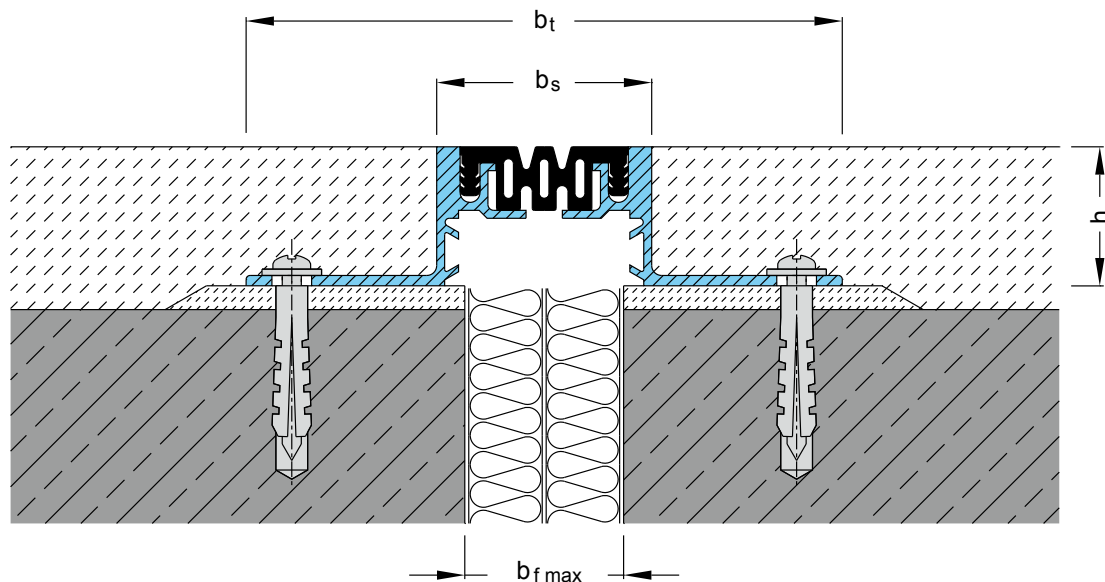
Larger installation heights on request.

For installation in asphalt, please ask for our technical advice.

FP 55 expansion joints are also available with a 3 mm upstand of the insert as FK 55 joints.

Production length: 4 m

Standard colors: black, grey, beige

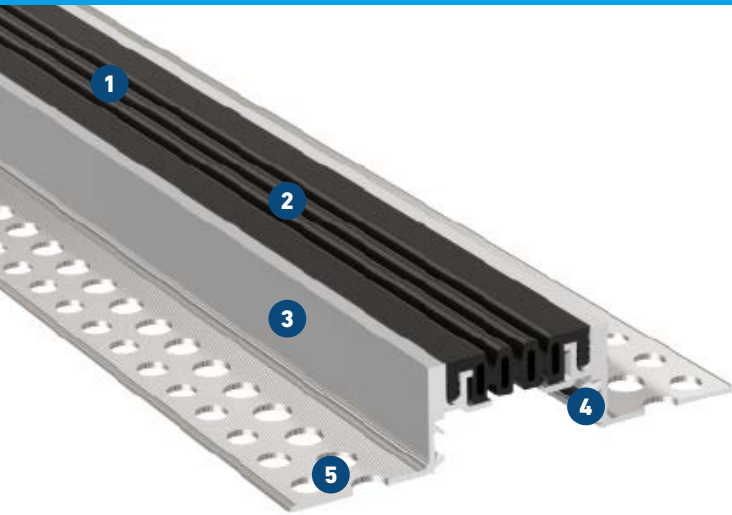


FP 55 – 4S



FOR FLOORS AND WALLS

MIGUTEK

JOINT COVERS FOR EXPANSION JOINTS



- 1 Flexible high quality elastomeric insert**
Hard wearing, temperature resistant (-30°C to +120°C), replaceable
- 2 Multi directional movement**
- 3 High load capacity due to sturdy construction**
Solid aluminium brackets
- 4 Quick and easy installation**
Positive connection of production lengths by means of connection pieces
- 5 MultiHole mounting bracket**
for secure fixing

Expansion joint cover	Joint width	Total movement	Visible width	Joint width total	Joint height	Load bearing capacity  [kN]	Load bearing capacity*  [kN]
	$b_f \text{ max}$ [mm]	Δb_f [mm]	b_s [mm]	b_t [mm]	h [mm]		
FP 55/20 4S	58	22 (± 11)	63	158	20	30	300
FP 55/25 4S	58	22 (± 11)	63	158	25	30	300
FP 55/35 4S	58	22 (± 11)	63	158	35	30	300
FP 55/50 4S	58	22 (± 11)	63	158	50	30	300
FP 55/75 4S	58	22 (± 11)	63	158	75	30	300

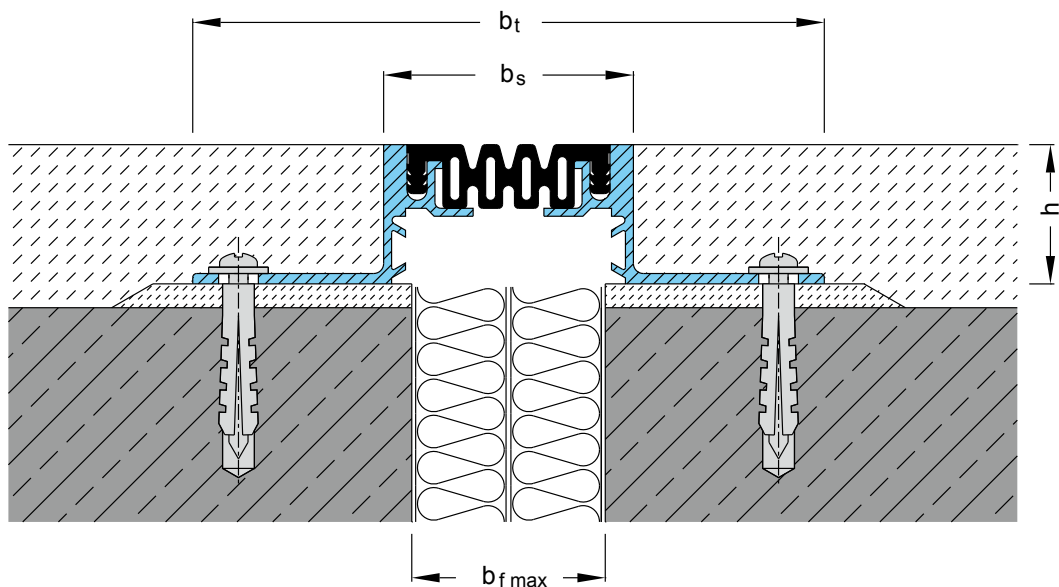
No continuous use

Larger installation heights on request.

For installation in asphalt, please ask for our technical advice.

Production length: 4 m

Standard colors: black, grey, beige

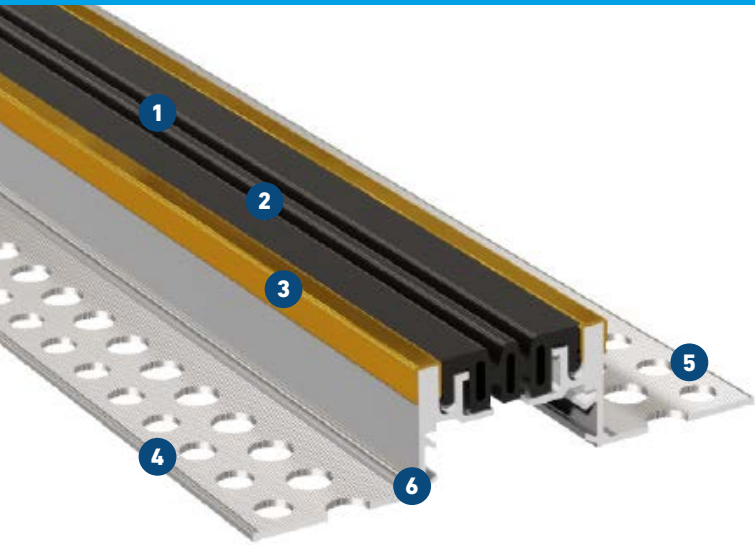


FP 55 MS / FP 55 NI

WITH CAPPINGS MADE OF STAINLESS STEEL OR BRASS

MIGUTEC

JOINT COVERS FOR EXPANSION JOINTS



- 1 Flexible high quality elastomeric insert**
Hard wearing, temperature resistant (-30°C to +120°C), replaceable
- 2 Multi directional movement**
- 3 Visible surface brass or stainless steel**
- 4 High load capacity due to sturdy construction**
Solid aluminium brackets
- 5 MultiHole mounting bracket**
for secure fixing
- 6 Quick and easy installation**
Positive connection of production lengths by means of connection pieces

Expansion joint cover	Joint width	Total movement	Visible width	Joint width total	Joint height	Load bearing capacity	Load bearing capacity*
	$b_f \text{ max}$ [mm]	Δb_f [mm]	b_s [mm]	b_t [mm]	h [mm]	[kN]	[kN]
FP 55/21 NI	50	16 (± 8)	57	150	21	30	300
FP 55/26 NI	50	16 (± 8)	57	150	26	30	300
FP 55/36 NI	50	16 (± 8)	57	150	36	30	300
FP 55/51 NI	50	16 (± 8)	57	150	51	30	300
FP 55/76 NI	50	16 (± 8)	57	150	76	30	300
FP 55/21 MS	50	16 (± 8)	57	150	21	30	300
FP 55/26 MS	50	16 (± 8)	57	150	26	30	300
FP 55/36 MS	50	16 (± 8)	57	150	36	30	300
FP 55/51 MS	50	16 (± 8)	57	150	51	30	300
FP 55/76 MS	50	16 (± 8)	57	150	76	30	300

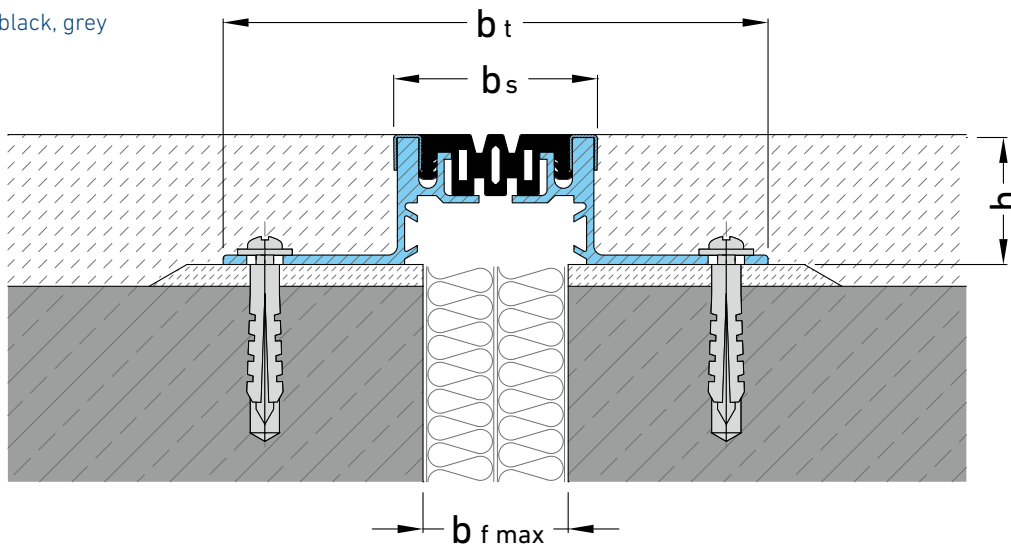
No continuous use

Larger installation heights on request.

For installation in asphalt, please ask for our technical advice.

Production length: 4 m

Standard colors: black, grey

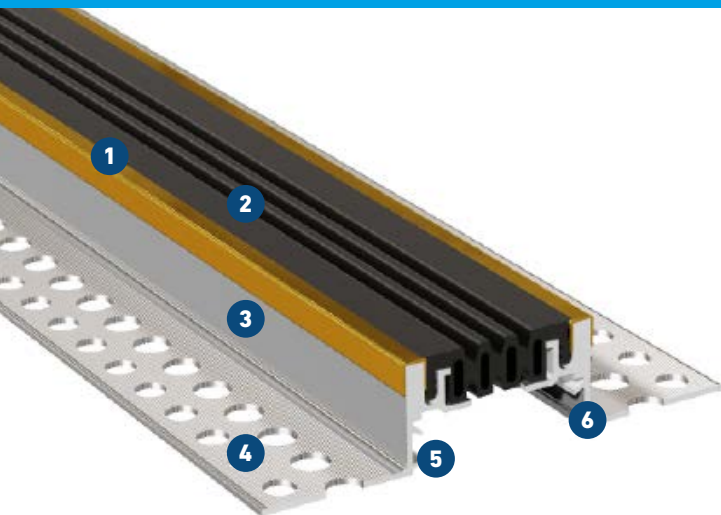


FP 55 MS-4S / FP 55 NI-4S

WITH CAPPINGS MADE OF STAINLESS STEEL OR BRASS

MIGUTEK

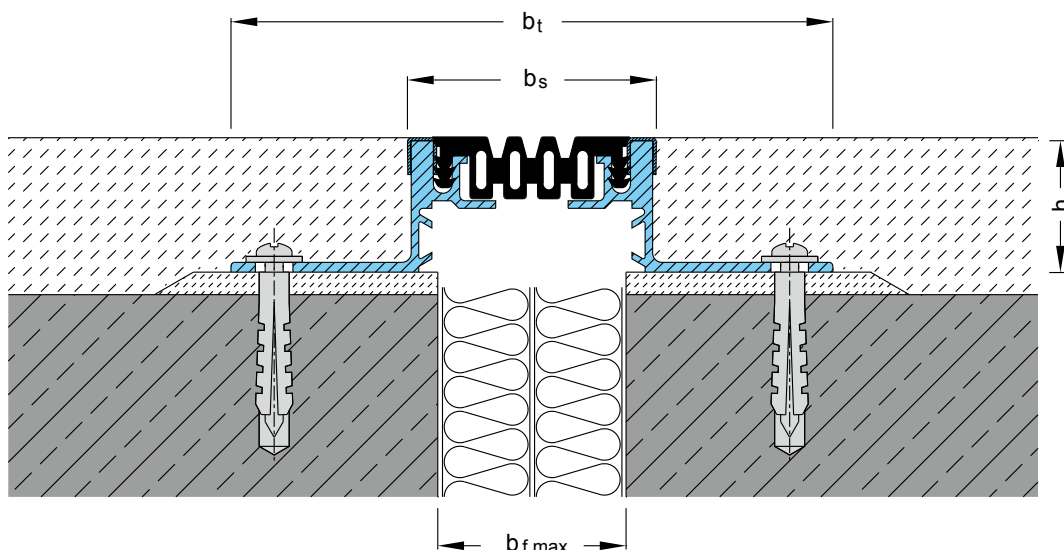
JOINT COVERS FOR EXPANSION JOINTS



- 1 Flexible high quality elastomeric insert**
Hard wearing, temperature resistant (-30°C to +120°C), replaceable
- 2 Multi directional movement**
- 3 Visible surface brass or stainless steel**
- 4 High load capacity due to sturdy construction**
Solid aluminium brackets
- 5 MultiHole mounting bracket**
for secure fixing
- 6 Quick and easy installation**
Positive connection of production lengths by means of connection pieces

Expansion joint cover	Joint width	Total movement	Visible width	Joint width total	Joint height	Load bearing capacity	Load bearing capacity
	$b_f \text{ max}$ [mm]	Δb_f [mm]	b_s [mm]	b_t [mm]	h [mm]	[kN]	[kN]
FP 55/21 NI 4S	58	22 (±11)	65	158	21	30	300
FP 55/26 NI 4S	58	22 (±11)	65	158	26	30	300
FP 55/36 NI 4S	58	22 (±11)	65	158	36	30	300
FP 55/51 NI 4S	58	22 (±11)	65	158	51	30	300
FP 55/76 NI 4S	58	22 (±11)	65	158	76	30	300
FP 55/21 MS 4S	58	22 (±11)	65	158	21	30	300
FP 55/26 MS 4S	58	22 (±11)	65	158	26	30	300
FP 55/36 MS 4S	58	22 (±11)	65	158	36	30	300
FP 55/51 MS 4S	58	22 (±11)	65	158	51	30	300
FP 55/76 MS 4S	58	22 (±11)	65	158	76	30	300

Standard colors: black, grey

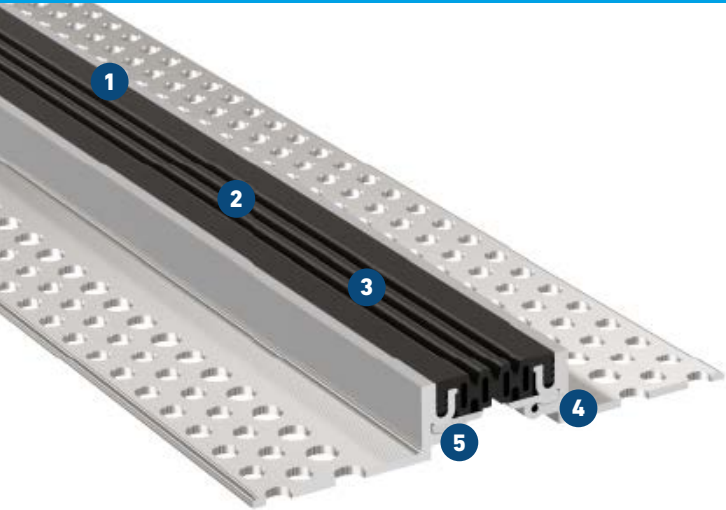


FP 65



FOR FLOORS AND WALLS

MIGUTEC

JOINT COVERS FOR EXPANSION JOINTS



- 1 Flexible high quality elastomeric insert**
Hard wearing, temperature resistant (-30°C to +120°C), replaceable
- 2 Insert and horizontal support plates replaceable**
with series FP 85 and FP 105
- 3 Multi directional movement**
- 4 High load capacity due to sturdy construction**
Solid aluminium brackets
- 5 Quick and easy installation**
Positive connection of production lengths by means of connection pieces

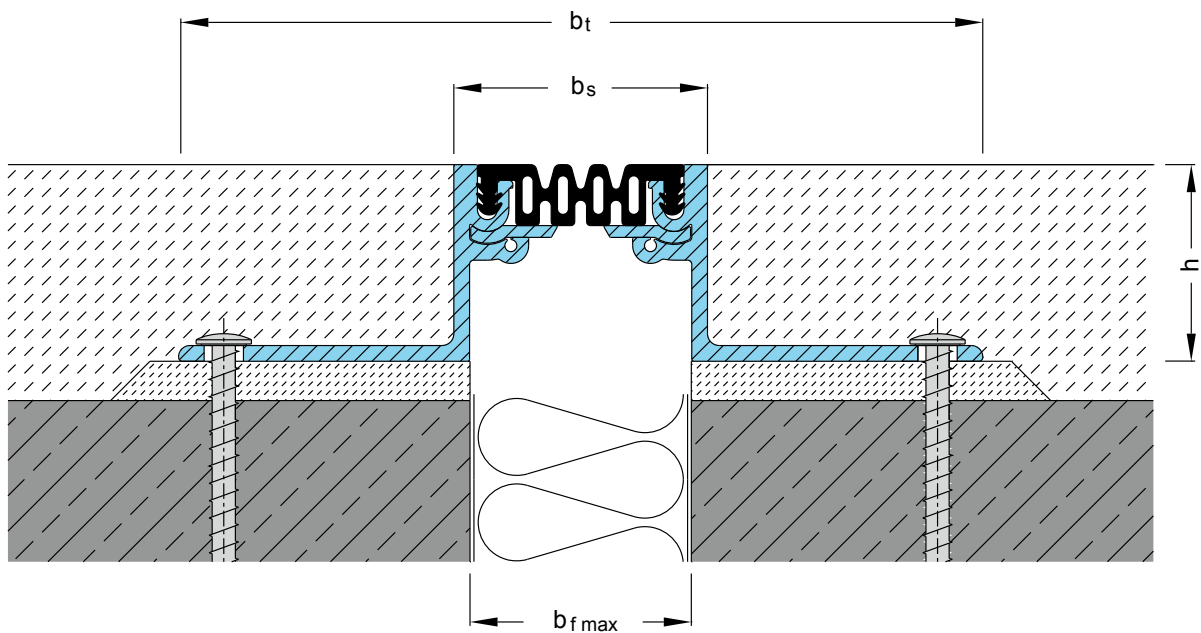
Expansion joint cover	Joint width	Total movement	Visible width	Joint width total	Joint height	Load bearing capacity  [kN]	Load bearing capacity*  [kN]
	$b_f \text{ max}$ [mm]	Δb_f [mm]	b_s [mm]	b_t [mm]	h [mm]		
FP 65/20	55	22 (± 11)	65	205	20	30	300
FP 65/30	55	22 (± 11)	65	205	30	30	300
FP 65/50	55	22 (± 11)	65	205	50	30	300

No continuous use

All information on load bearing capacity does only apply to non-floating floors.
For installation in asphalt, please ask for our technical advice.

Production length: 4 m

Standard colors: black, grey, beige

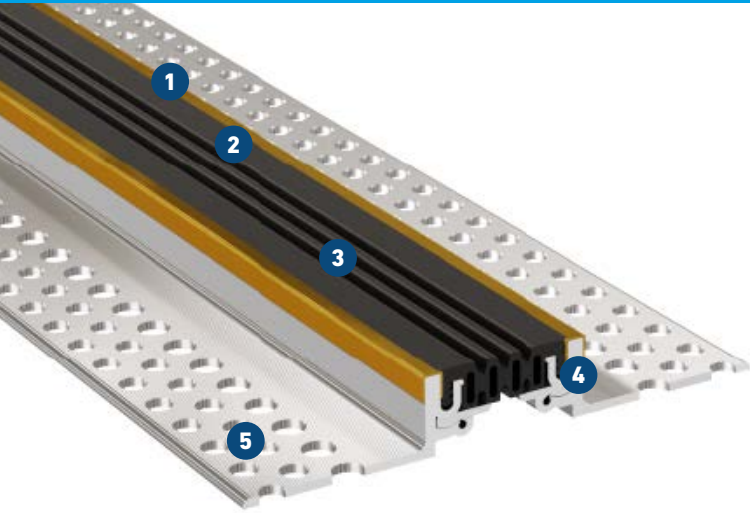


FP 65 NI / FP 65 MS



WITH CAPPINGS MADE OF STAINLESS STEEL OR BRASS

MIGUTEC

JOINT COVERS FOR EXPANSION JOINTS



- 1 Visible surface brass or stainless steel**
- 2 Flexible high quality elastomeric insert**
Hard wearing, temperature resistant (-30°C to +120°C), replaceable
- 3 Multi directional movement**
- 4 High load capacity due to sturdy construction**
Solid aluminium brackets
- 5 MultiHole mounting bracket**
for secure fixing
- 6 Quick and easy installation**
Positive connection of production lengths by means of connection pieces

Expansion joint cover	Joint width	Total movement	Visible width	Joint width total	Joint height	Load bearing capacity  [kN]	Load bearing capacity*  [kN]
	$b_f \text{ max}$ [mm]	Δb_f [mm]	b_s [mm]	b_t [mm]	h [mm]		
FP 65/21 NI	55	22 (± 11)	67	205	21	30	300
FP 65/31 NI	55	22 (± 11)	67	205	31	30	300
FP 65/51 NI	55	22 (± 11)	67	205	51	30	300
FP 65/21 MS	55	22 (± 11)	67	205	21	30	300
FP 65/31 MS	55	22 (± 11)	67	205	31	30	300
FP 65/51 MS	55	22 (± 11)	67	205	51	30	300

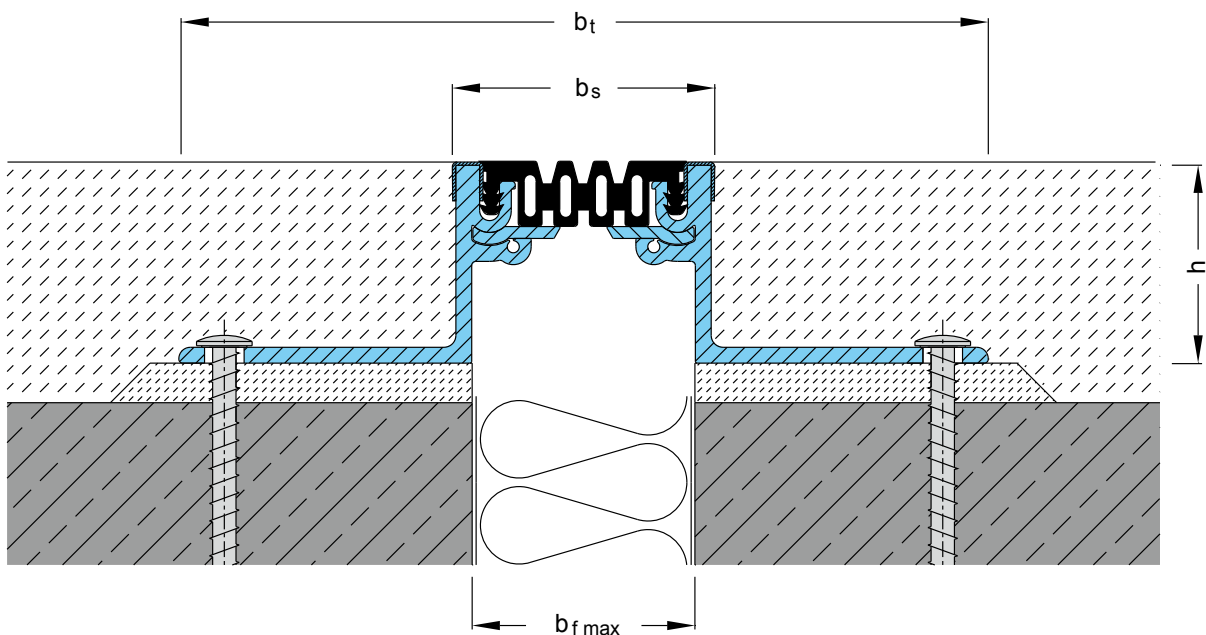
No continuous use

All information on load bearing capacity does only apply to non-floating floors.

For installation in asphalt, please ask for our technical advice.

Production length: 4 m

Standard colors: black, grey

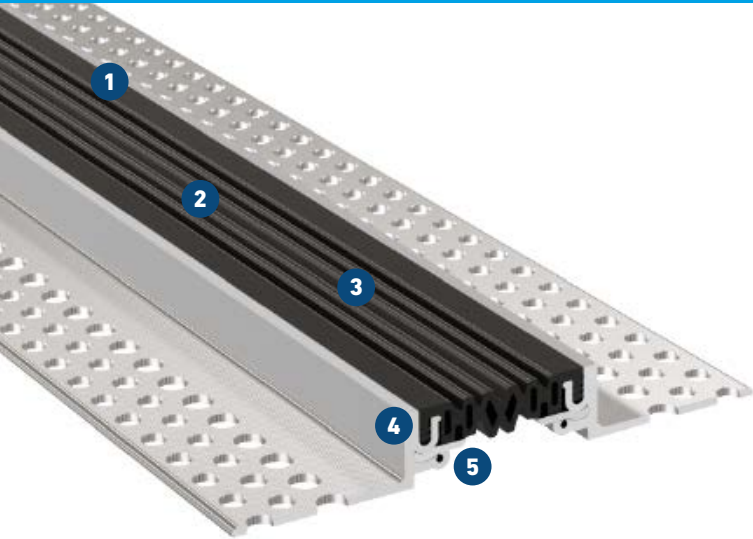


FP 85



FOR FLOORS AND WALLS

MIGUTEC

JOINT COVERS FOR EXPANSION JOINTS



- 1 Flexible high quality elastomeric insert**
Hard wearing, temperature resistant (-30°C to +120°C), replaceable
- 2 Insert and horizontal support plates replaceable**
with series FP 65 and FP 105
- 3 Multi directional movement**
- 4 High load capacity due to sturdy construction**
Solid aluminium brackets
- 5 Quick and easy installation**
Positive connection of production lengths by means of connection pieces

Expansion joint cover	Joint width	Total movement	Visible width	Joint width total	Joint height	Load bearing capacity  [kN]	Load bearing capacity*  [kN]
	$b_f \text{ max}$ [mm]	Δb_f [mm]	b_s [mm]	b_t [mm]	h [mm]		
FP 85/20	75	30 (± 15)	82	222	20	30	300
FP 85/30	75	30 (± 15)	82	222	30	30	300
FP 85/50	75	30 (± 15)	82	222	50	30	300

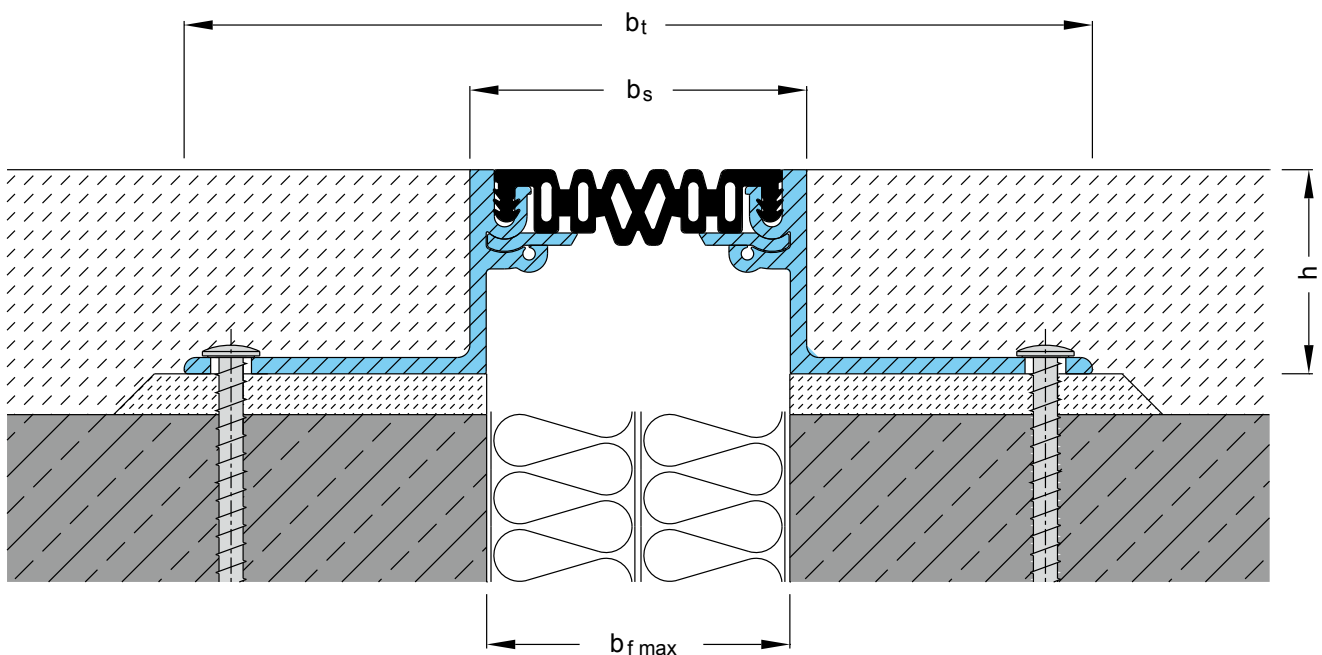
No continuous use

Larger installation heights on request.

For installation in asphalt, please ask for our technical advice.

Production length: 4 m

Standard colors: black, grey, beige

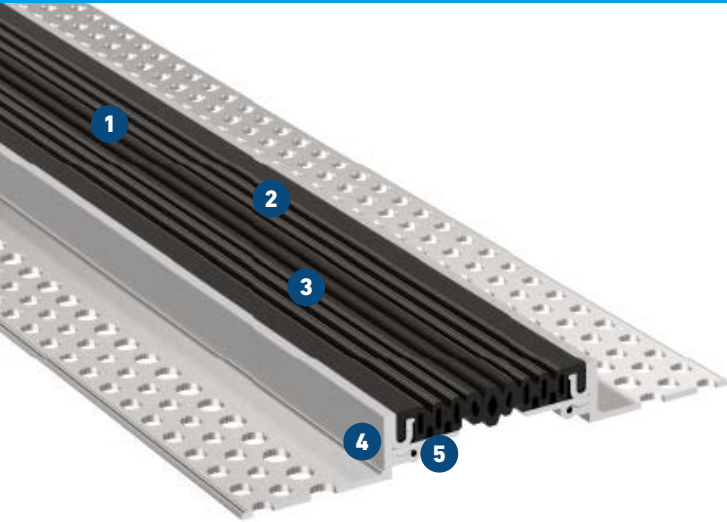


FP 105



FOR FLOORS AND WALLS

MIGUTEC

JOINT COVERS FOR EXPANSION JOINTS



- 1 Flexible high quality elastomeric insert**
Hard wearing, temperature resistant (-30°C to +120°C), replaceable
- 2 Insert and horizontal support plates replaceable**
with series FP 65 and FP 85
- 3 Multi directional movement**
- 4 High load capacity due to sturdy construction**
Solid aluminium brackets
- 5 Quick and easy installation**
Positive connection of production lengths by means of connection pieces

Expansion joint cover	Joint width	Total movement	Visible width	Joint width total	Joint height	Load bearing capacity  [kN]	Load bearing capacity*  [kN]
	$b_f \text{ max}$ [mm]	Δb_f [mm]	b_s [mm]	b_t [mm]	h [mm]		
FP 105/20	100	40 (±20)	109	248	20	30	300
FP 105/30	100	40 (±20)	109	248	30	30	300
FP 105/50	100	40 (±20)	109	248	50	30	300

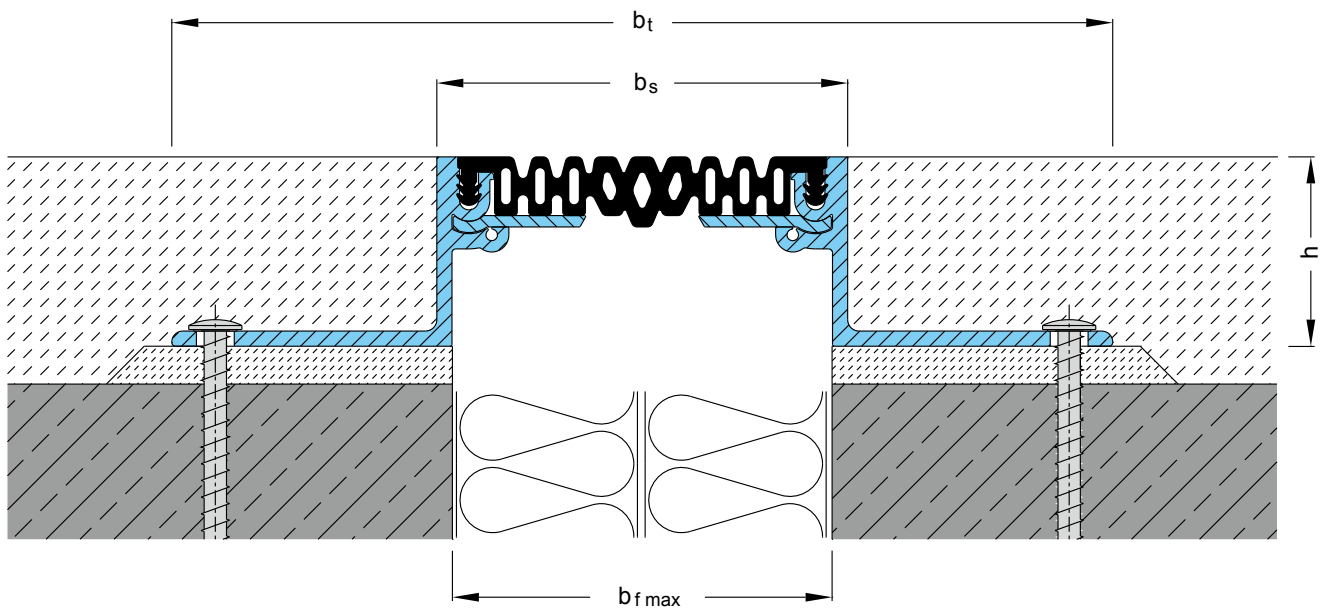
No continuous use

For installation in asphalt, please ask for our technical advice.

Larger installation heights on request.

Production length: 4 m

Standard colors: black, grey, beige

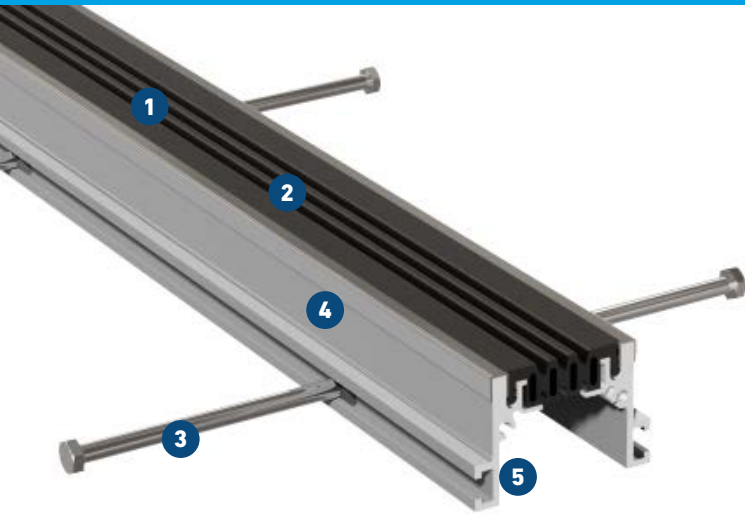


FP 55 B (NI) 4S

FOR FLUSH INSTALLATION IN CONCRETE FLOORS

MIGUTEC

JOINT COVERS FOR EXPANSION JOINTS



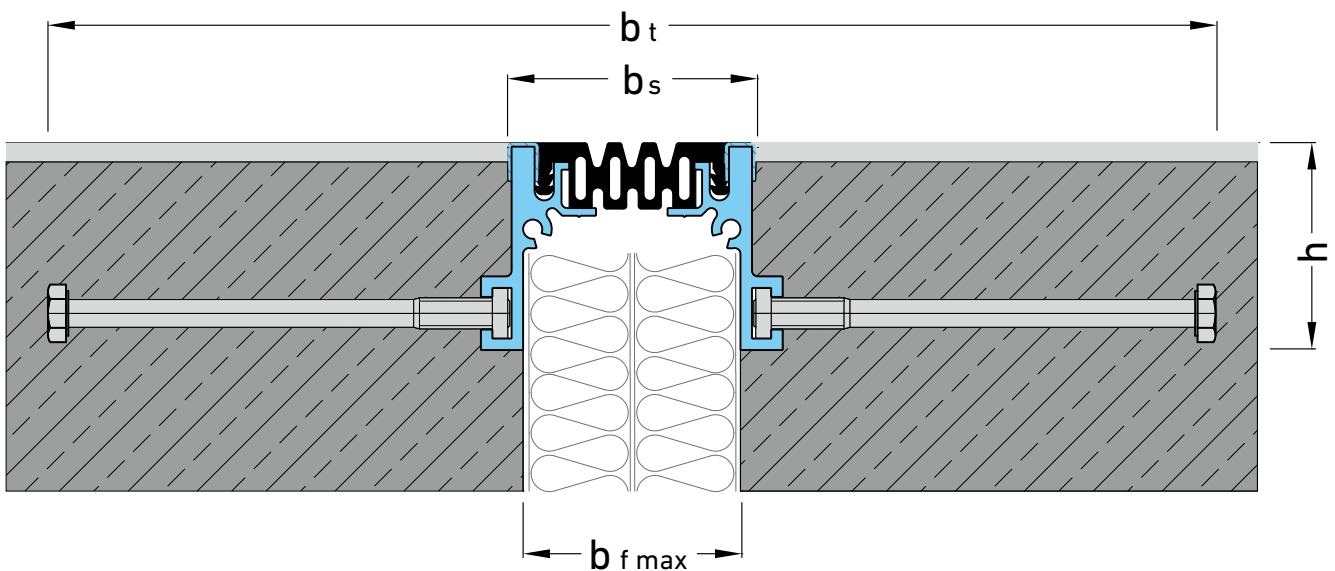
- 1 Flexible high quality elastomeric insert**
Hard wearing, temperature resistant (-30°C to +120°C), replaceable
- 2 Designed for where additional layers of concrete are being cast to strengthen existing slabs**
Slideable anchor rods for adjustable welding to the reinforcement
- 3 Multi directional movement**
- 4 High load capacity due to sturdy construction**
Solid aluminium brackets, also available with stainless steel covers
- 5 Quick and easy installation**
Positive connection of production lengths by means of connection pieces

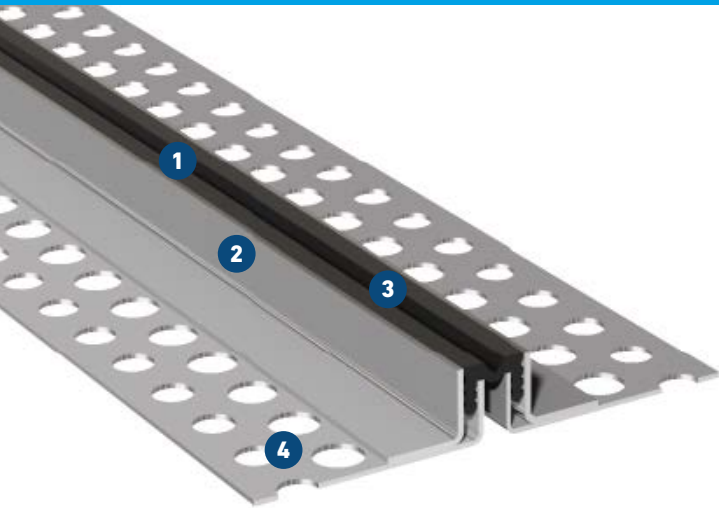
Expansion joint cover	Joint width	Total movement	Visible width	Joint width total	Joint height	Load bearing capacity	Load bearing capacity*
	$b_f \text{ max}$ [mm]	Δb_f [mm]	b_s [mm]	b_t [mm]	h [mm]	[kN]	[kN]
FP 55 B 4S	60	22 (± 11)	63		53	30	300
FP 55 B NI 4S	60	22 (± 11)	63		54	30	300

No continuous use



Production length: 4 m

Standard colors: black, grey





- 1 Flexible high quality elastomeric insert**
Hard wearing, temperature resistant (-30°C to +120°C), replaceable
- 2 Solid stainless steel brackets**
Resistant to aggressive media (e.g. sea water)
- 3 Multi directional movement**
- 4 MultiHole mounting bracket**
for secure fixing

Expansion joint cover	Joint width	Total movement	Visible width	Joint width total	Joint height	Load bearing capacity  [kN]	Load bearing capacity*  [kN]
	$b_f \text{ max}$ [mm]	Δb_f [mm]	b_s [mm]	b_t [mm]	h [mm]		
ES 20/20	20	5 (+3/-2)	20	126	20	30	30
ES 20/35	20	5 (+3/-2)	20	95	35	30	30
ES 20/40	20	5 (+3/-2)	20	95	40	30	30
ES 20/50	20	5 (+3/-2)	20	95	50	30	30

No continuous use

All info on load capacities apply to doweled, not to floating installation.

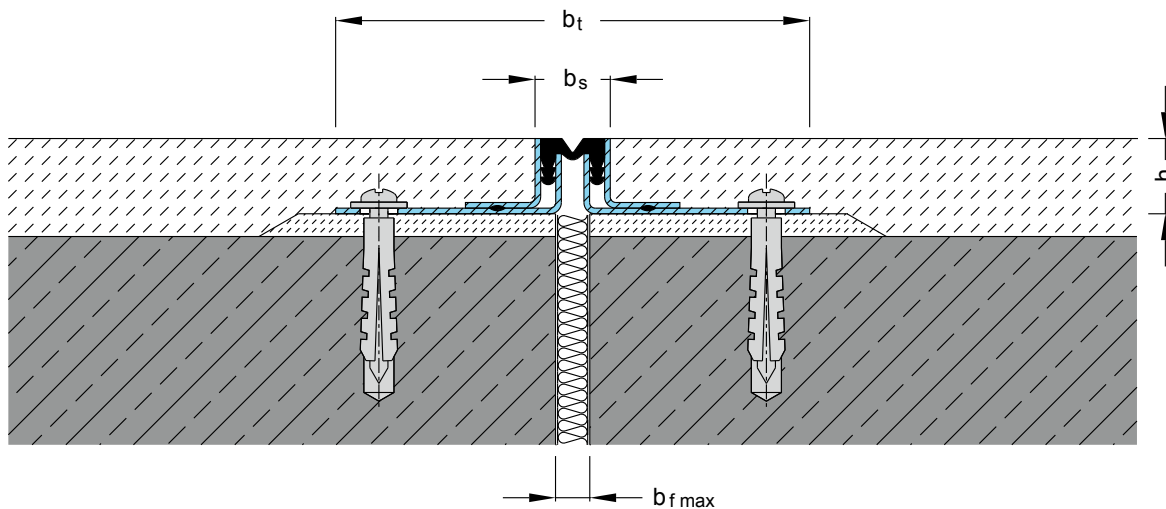
Larger installation heights on request. Larger installation heights on request.

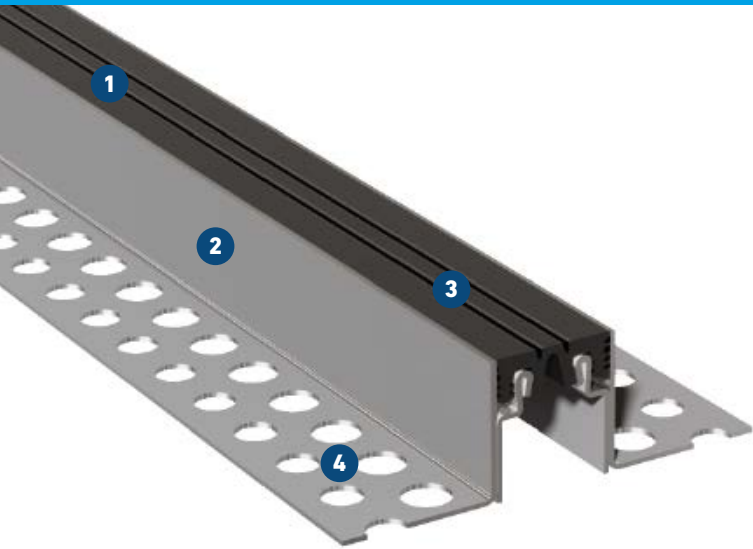
For installation in asphalt, please ask for our technical advice.

Material: 1.4301 (alloy 304)



Production length: 3 m (ES 20/20: 2 m)

Standard colors: black, grey. **Stainless steel:** mill finish.





- 1 Flexible high quality elastomeric insert**
Hard wearing, temperature resistant (-30°C to +120°C), replaceable
- 2 Multi directional movement**
- 3 Solid stainless steel brackets**
Resistant to aggressive media (e.g. sea water)
- 4 MultiHole mounting bracket**
for secure fixing

Expansion joint cover	Joint width	Total movement	Visible width	Joint width total	Joint height	Load bearing capacity  [kN]	Load bearing capacity*  [kN]
	$b_f \text{ max}$ [mm]	Δb_f [mm]	b_s [mm]	b_t [mm]	h [mm]		
ES 33/15	30	10 (± 5)	33	139	15	30	30
ES 33/35	30	10 (± 5)	33	108	35	30	30
ES 33/40	30	10 (± 5)	33	108	40	30	30
ES 33/50	30	10 (± 5)	33	108	50	30	30

No continuous use

Larger installation heights on request.

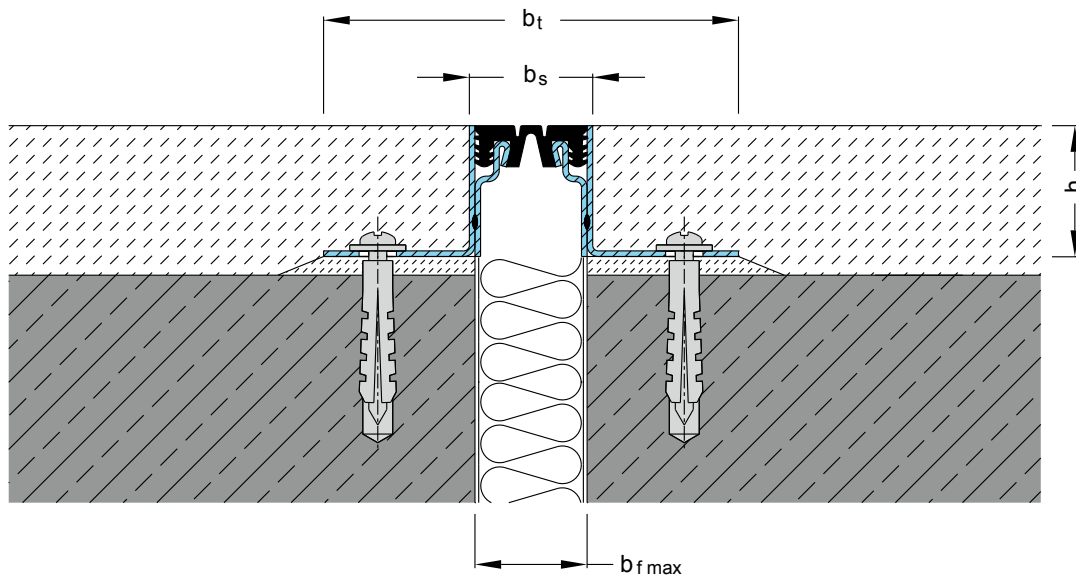
For installation in asphalt, please ask for our technical advice.

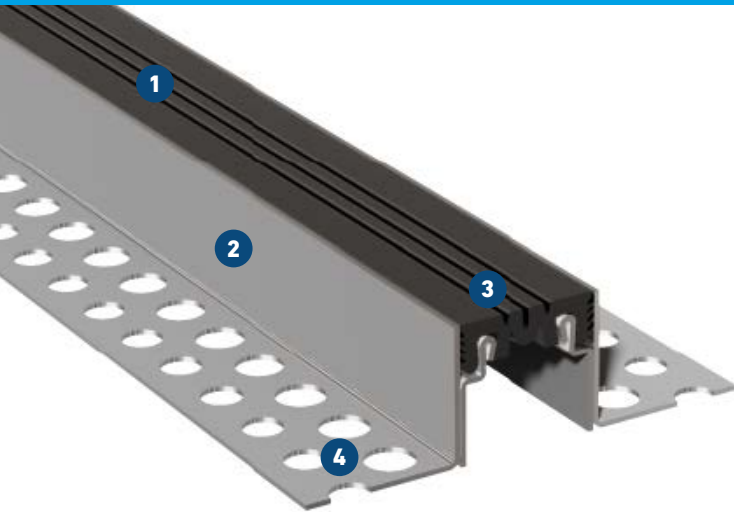
All info on load capacities apply to doweled, not to floating installation.

Material: 1.4301 (alloy 304)



Production length: 3 m (ES 33/15: 2 m)

Standard colors: black, grey, beige, brown. **Stainless steel:** mill finish.





- 1 Flexible high quality elastomeric insert**
Hard wearing, temperature resistant (-30°C to +120°C), replaceable
- 2 Multi directional movement**
- 3 Solid stainless steel brackets**
Resistant to aggressive media (e.g. sea water)
- 4 MultiHole mounting bracket**
for secure fixing

Expansion joint cover	Joint width	Total movement	Visible width	Joint width total	Joint height	Load bearing capacity  [kN]	Load bearing capacity*  [kN]
	$b_f \text{ max}$ [mm]	Δb_f [mm]	b_s [mm]	b_t [mm]	h [mm]		
ES 39/15	35	14 (± 7)	39	145	15	30	30
ES 39/35	35	14 (± 7)	39	114	35	30	30
ES 39/40	35	14 (± 7)	39	114	40	30	30
ES 39/50	35	14 (± 7)	39	114	50	30	30

No continuous use

All information on load bearing capacity does only apply to non-floating floors.

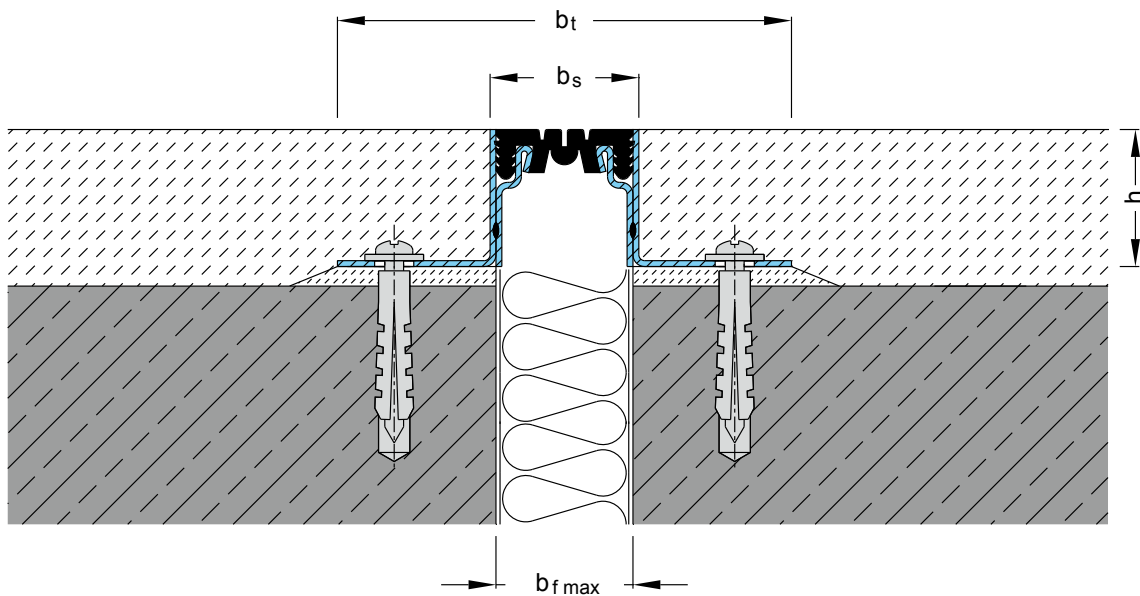
For installation in asphalt, please ask for our technical advice.

Larger installation heights on request.

Material: 1.4301 (alloy 304)

Production length: 3 m (ES 39/15: 2 m)

Standard colors: black, grey, beige. **Stainless steel:** mill finish.

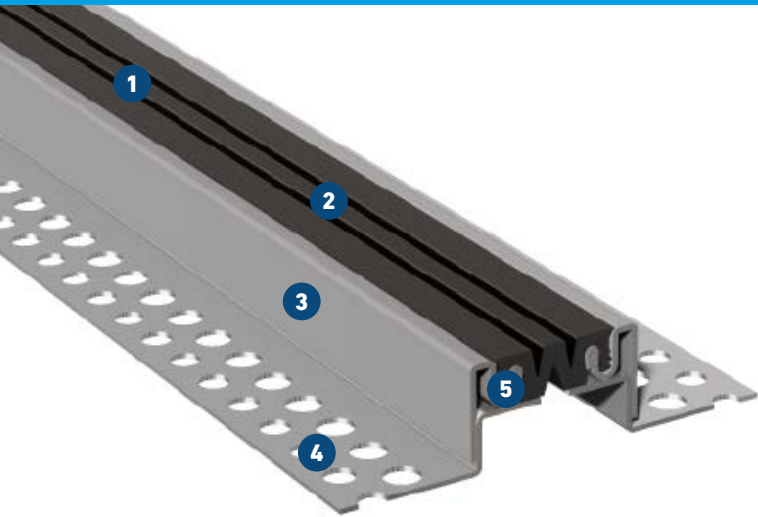


ES 60



FOR HEAVY DUTY FLOORS, RESISTANT TO AGGRESSIVE FLUIDS

MIGUTEK

JOINT COVERS FOR EXPANSION JOINTS



- 1 Flexible high quality elastomeric insert**
Hard wearing, temperature resistant (-30°C to +120°C), replaceable
- 2 Multi directional movement**
- 3 Solid stainless steel brackets**
Resistant to aggressive media (e.g. sea water)
- 4 MultiHole mounting bracket**
for secure fixing
- 5 High load capacity**
suitable for Forklift trucks

Expansion joint cover	Joint width $b_f \text{ max}$ [mm]	Total movement Δb_f [mm]	Visible width b_s [mm]	Joint width total b_t [mm]	Joint height h [mm]	Load bearing capacity*  [kN]	Load bearing capacity  [kN]
ES 60/19	40	16(+10/-6)	60	160	19	90	35
ES 60/35	50	16(+10/-6)	60	152	35	90	35

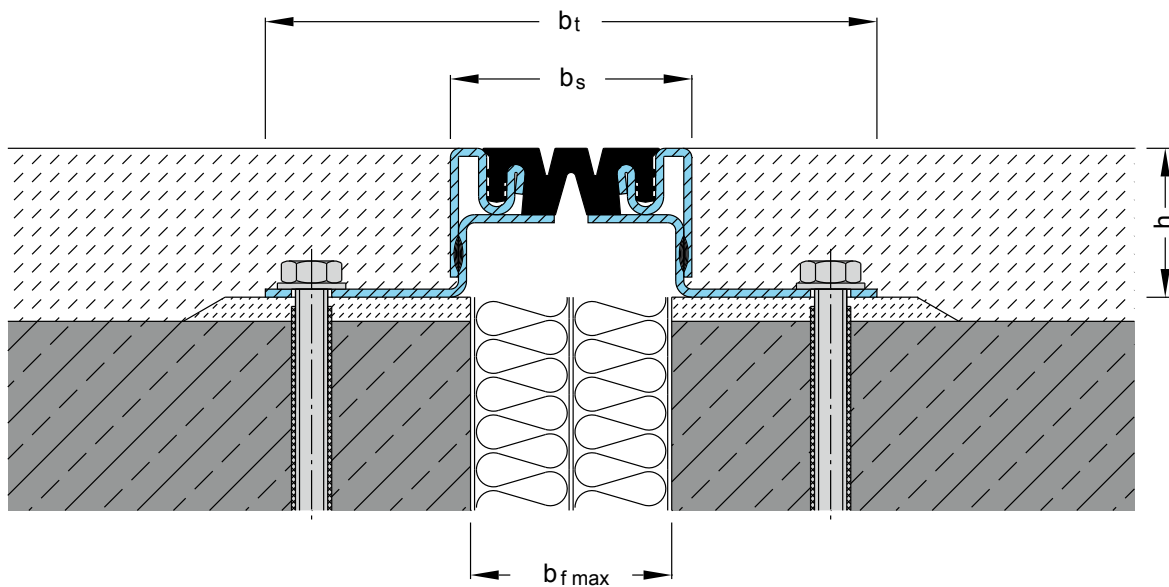
No continuous use

Larger installation heights on request.

Material: 1.4401 (alloy 316)

Production length: 4 m

Standard colors: black, grey. **Stainless steel:** mill finish.

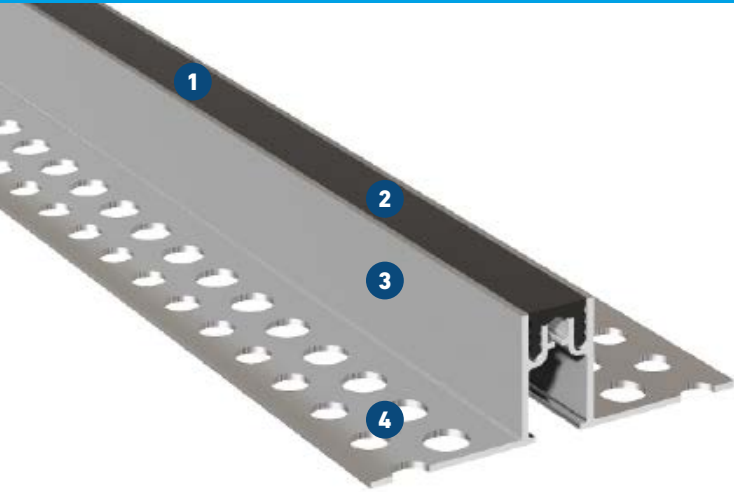


FLG 21


FOR FLOORS WITH HYGIENIC REQUIREMENTS

MIGUTEK

JOINT COVERS FOR EXPANSION JOINTS



- 1 Flexible high quality elastomeric insert**
Hard wearing, temperature resistant (-30°C to +120°C), replaceable
- 2 Smooth visible surface for easy cleaning**
Antibacterial and physiologically safe
- 3 Quick and easy installation**
Solid, but light aluminium brackets for quick installation in screed or tiled floorings
- 4 MultiHole mounting bracket**
for secure fixing

Expansion joint cover	Joint width $b_f \text{ max}$ [mm]	Total movement Δb_f [mm]	Visible width b_s [mm]	Joint width total b_t [mm]	Joint height h [mm]	Load bearing capacity*  [kN]
FLG 21/20	20	2 (± 1)	21	107	20	30
FLG 21/35	20	2 (± 1)	21	111	35	30
FLG 21/50	20	2 (± 1)	21	111	50	30

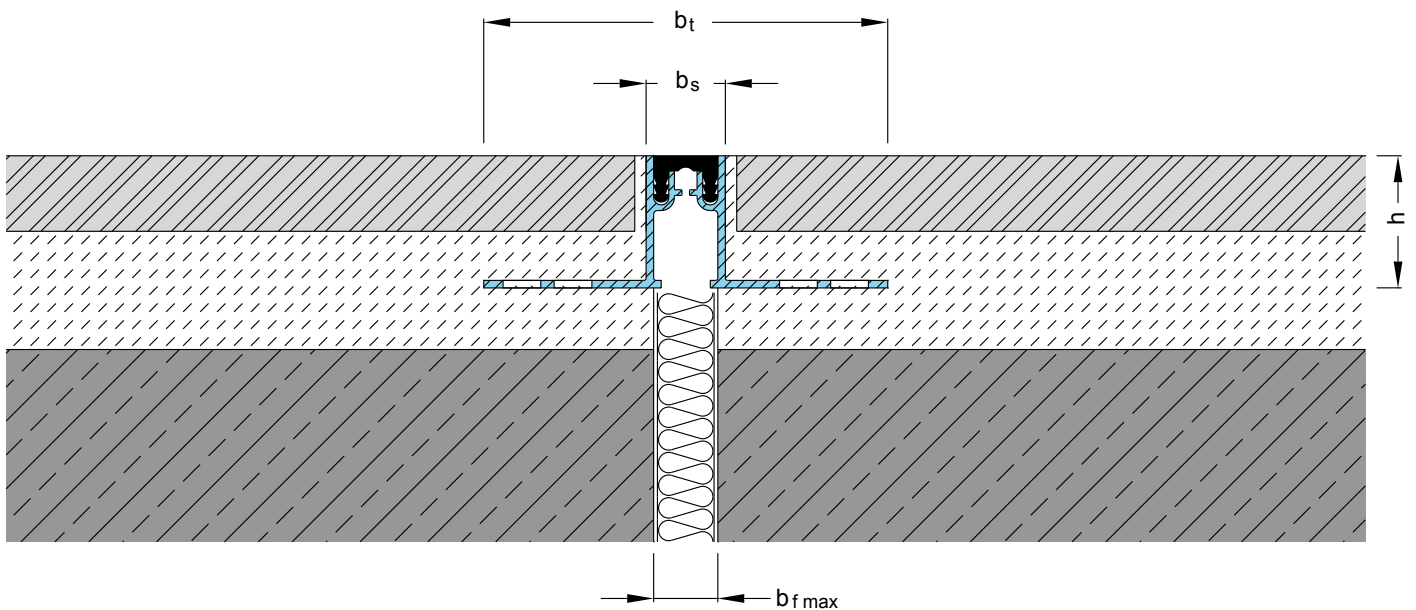
No continuous use

All information on load bearing capacity does only apply to non-floating floors.

For installation in asphalt, please ask for our technical advice.

Production length: 4 m

Standard colors: black, grey

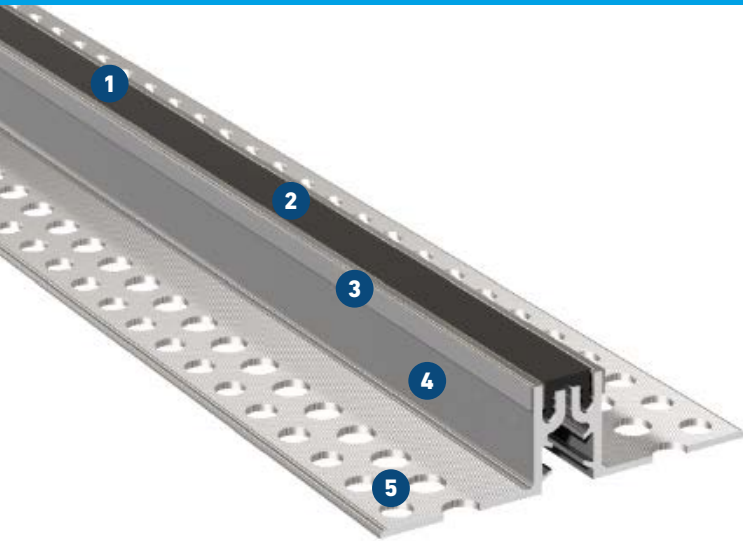


FPG 26 NI

FOR FLOORS WITH HYGIENIC REQUIREMENTS, WITH CAPPINGS MADE OF STAINLESS STEEL

MIGUTEK

JOINT COVERS FOR EXPANSION JOINTS



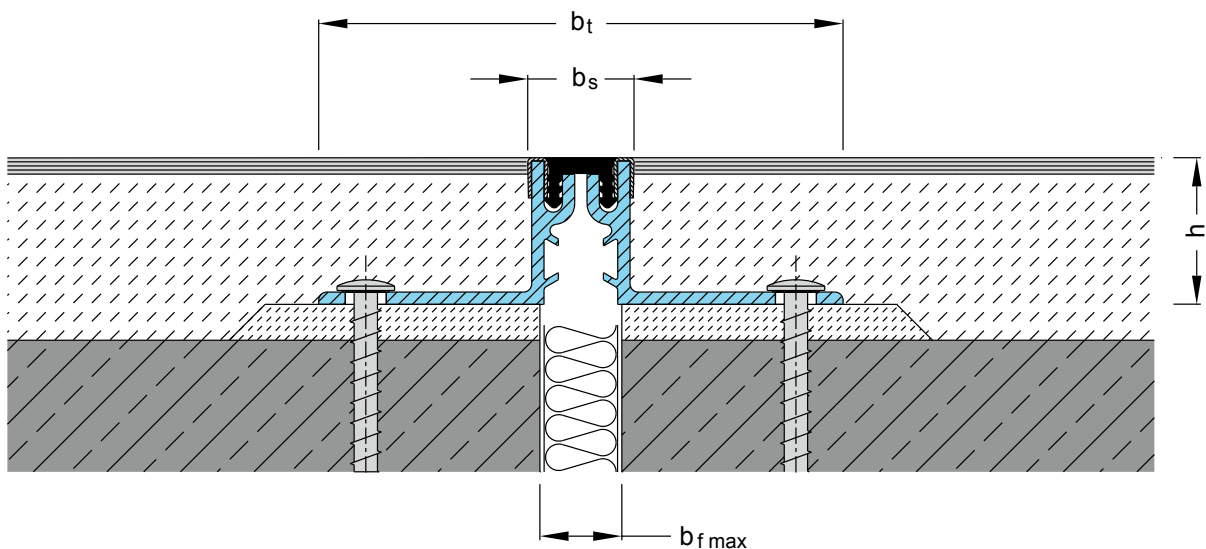
- 1 Flexible high quality elastomeric insert**
Hard wearing, temperature resistant (-30°C to +120°C), replaceable
- 2 Smooth visible surface for easy cleaning**
Antibacterial and physiologically safe
- 3 Visible surface stainless steel**
- 4 High load capacity due to sturdy construction**
Solid aluminium brackets
- 5 MultiHole mounting bracket**
for secure fixing

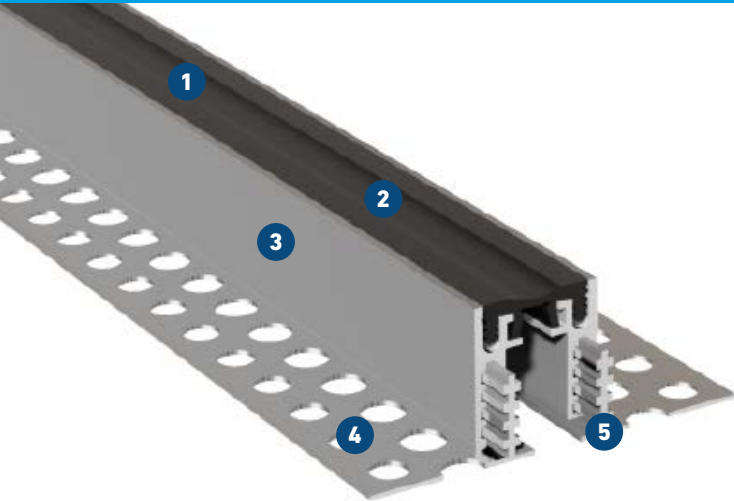
Expansion joint cover	Joint width $b_f \text{ max}$ [mm]	Total movement Δb_f [mm]	Visible width b_s [mm]	Joint width total b_t [mm]	Joint height h [mm]	Load bearing capacity* [kN]	Load bearing capacity [kN]	Load bearing capacity solid plastic tyres [kg/mm]
FPG 26 NI	20	2 (± 1)	27	128	35	300	70	5

All information on load bearing capacity does only apply to non-floating floors.
For installation in asphalt, please ask for our technical advice.

Production length: 4 m

Standard colors: black, grey





- 1 Flexible high quality elastomeric insert**
Hard wearing, temperature resistant (-30°C to +120°C), replaceable
- 2 Smooth visible surface for easy cleaning**
Antibacterial and physiologically safe
- 3 Quick and easy installation**
Solid, but light aluminium brackets for quick installation in screed or tiled floorings
- 4 MultiHole mounting bracket**
for secure fixing
- 5 Flexible adaptation to site conditions**
Available with adjustable installation height

Expansion joint cover	Joint width	Total movement	Visible width	Joint width total	Joint height	Load bearing capacity*	Load bearing capacity*
	$b_f \text{ max}$ [mm]	Δb_f [mm]	b_s [mm]	b_t [mm]	h [mm]	[kN]	[kN]
FG 35/15	30	6 (± 3)	35	108	15	30	30
FG 35/20	30	6 (± 3)	35	108	20	30	30
FG 35/25	30	6 (± 3)	35	108	25	30	30
FG 35/35	30	6 (± 3)	35	125	35	30	30
FG 35/50	30	6 (± 3)	35	125	50	30	30
FG 35/4055	30	6 (± 3)	35	108	40, 45, 50, 55	30	30
FG 35/6075	30	6 (± 3)	35	108	60, 65, 70, 75	30	30
FG 35/7590	30	6 (± 3)	35	108	75, 80, 85, 90	30	30
FG 35/90105	30	6 (± 3)	35	108	90, 95, 100, 105	30	30

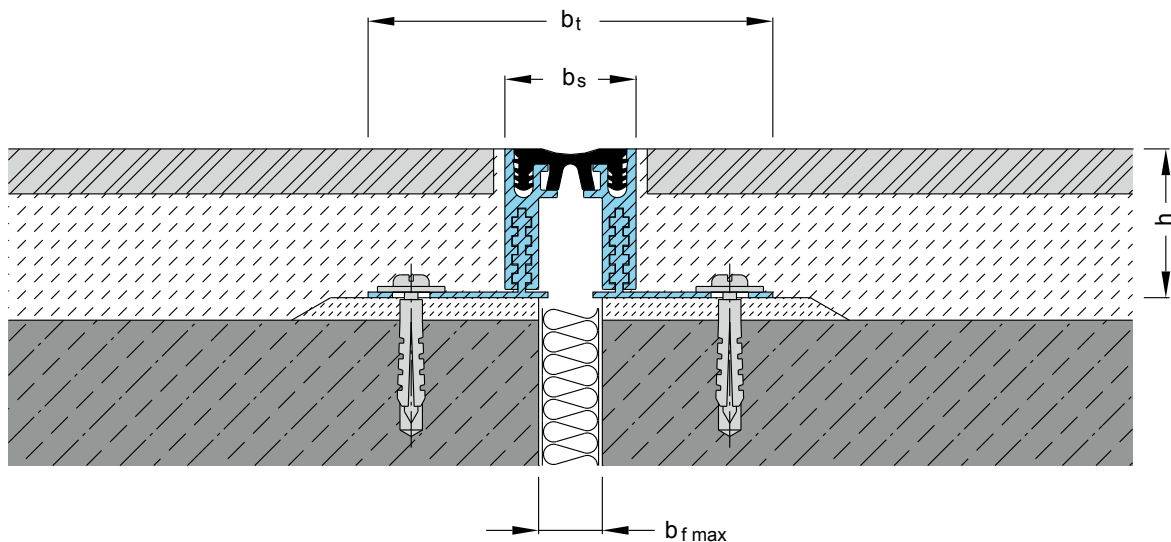
No continuous use

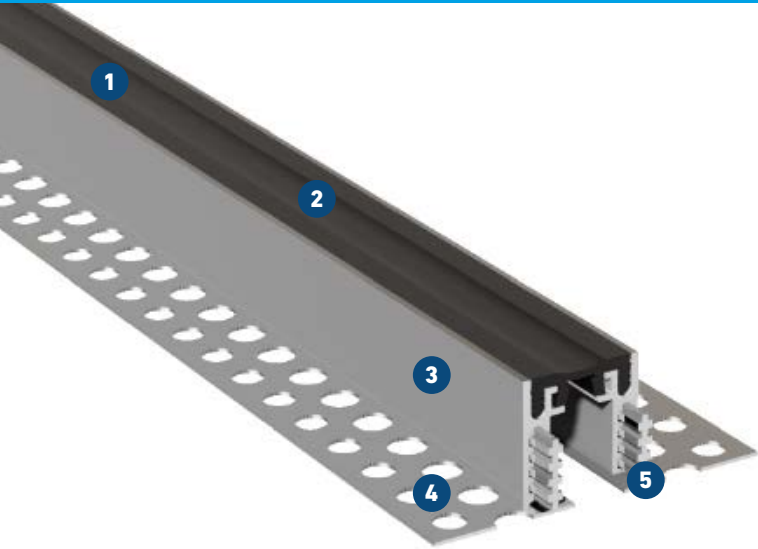
All info on load capacities apply to doweled, not to floating installation.

For installation in asphalt, please ask for our technical advice.

Production length: 4 m

Standard colors: black, grey, beige, brown





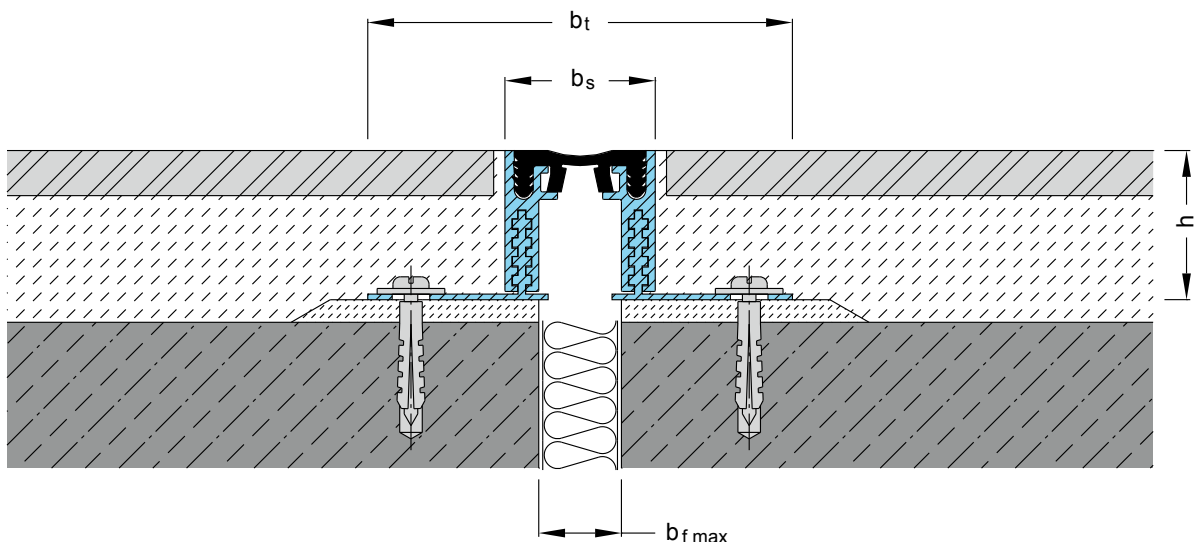
- 1 Flexible high quality elastomeric insert**
Hard wearing, temperature resistant (-30°C to +120°C), replaceable
- 2 Smooth visible surface for easy cleaning**
Antibacterial and physiologically safe
- 3 Quick and easy installation**
Solid, but light aluminium brackets for quick installation in screed or tiled floorings
- 4 MultiHole mounting bracket**
for secure fixing
- 5 Flexible adaptation to site conditions**
Available with adjustable installation height

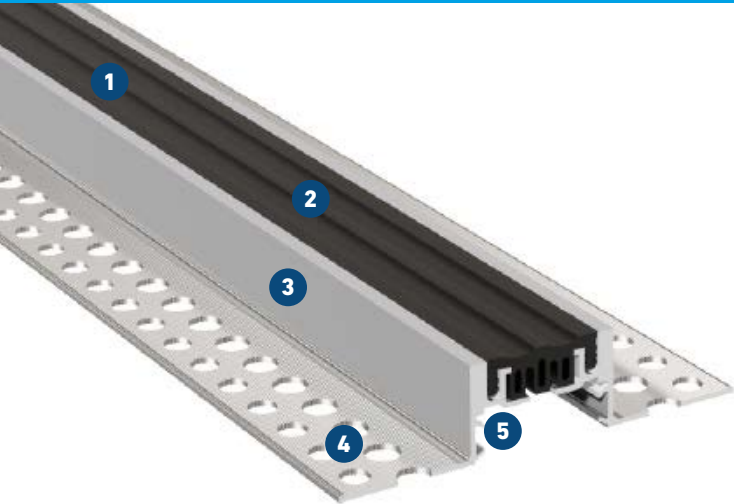
Expansion joint cover	Joint width	Total movement	Visible width	Joint width total		Joint height	Load bearing capacity	Load bearing capacity
	$b_f \text{ max}$ [mm]			Δb_f [mm]	b_s [mm]			
FG 41/15	35	6 (± 3)	41	114	15	30	30	
FG 41/20	35	6 (± 3)	41	114	20	30	30	
FG 41/25	35	6 (± 3)	41	114	25	30	30	
FG 41/35	35	6 (± 3)	41	131	35	30	30	
FG 41/50	35	6 (± 3)	41	131	50	30	30	
FG 41/4055	35	6 (± 3)	41	114	40, 45, 50, 55	30	30	
FG 41/6075	35	6 (± 3)	41	114	60, 65, 70, 75	30	30	
FG 41/7590	35	6 (± 3)	41	114	75, 80, 85, 90	30	30	
FG 41/90105	35	6 (± 3)	41	114	90, 95, 100, 105	30	30	

All info on load capacities apply to doweled, not to floating installation.
For installation in asphalt, please ask for our technical advice.

Production length: 4 m

Standard colors: black, grey, beige





- 1 Flexible high quality elastomeric insert**
Hard wearing, temperature resistant (-30°C to +120°C), replaceable
- 2 Smooth visible surface for easy cleaning**
Antibacterial and physiologically safe
- 3 High load capacity due to sturdy construction**
Solid aluminium brackets
- 4 MultiHole mounting bracket**
for secure fixing
- 5 Quick and easy installation**
Solid, but light aluminium brackets for quick installation in screed or tiled floorings

Expansion joint cover	Joint width $b_f \text{ max}$ [mm]	Total movement Δb_f [mm]	Visible width b_s [mm]	Joint width total		Joint height h [mm]	Load bearing capacity [kN]	Load bearing capacity* [kN]
				b_t [mm]				
FPG 55/20	50	8 (± 4)	55	150		20	30	300
FPG 55/25	50	8 (± 4)	55	150		25	30	300
FPG 55/35	50	8 (± 4)	55	150		35	30	300
FPG 55/50	50	8 (± 4)	55	150		50	30	300
FPG 55/75	50	8 (± 4)	55	150		75	30	300

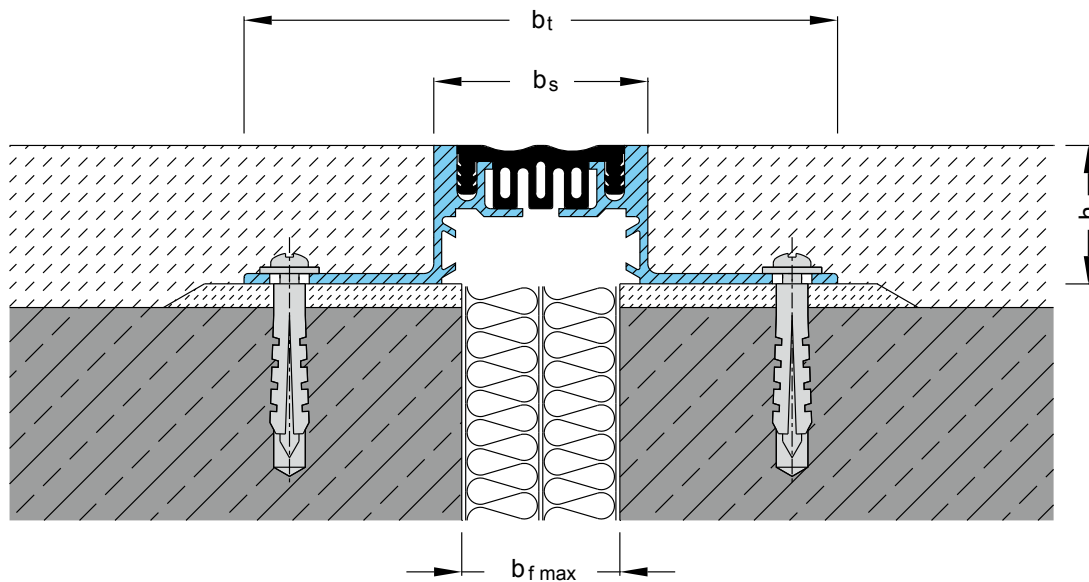
No continuous use

Larger installation heights on request.

For installation in asphalt, please ask for our technical advice.

Production length: 4 m

Standard colors: black, grey, beige

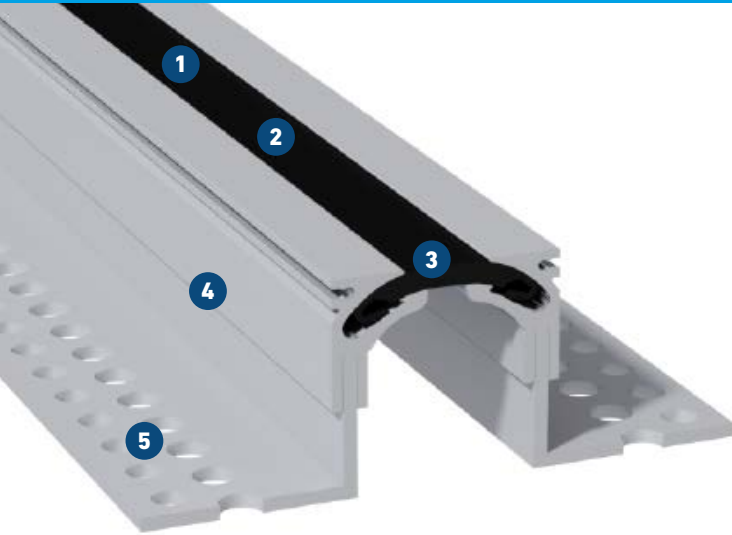


FGH 65

THE EXPANSION JOINT COVER FOR AREAS WITH STRICT HYGIENIC REQUIREMENTS AND HIGH AESTHETIC DEMANDS

MIGUTEC

JOINT COVERS FOR EXPANSION JOINTS



- 1 Ultra-smooth insert for residue-free cleaning**
Thus optimal sterility and physiologically safe
- 2 Seamless, symmetrical visible surface**
Hard-wear special insert for smoother, low-noise transit
- 3 Innovative solution**
High movement capability due to innovative system
- 4 High load capacity due to sturdy construction**
Solid aluminium brackets
- 5 Secure fixing due to MultiHole mounting bracket**
Flexible anchoring and excellent bond

Ideal for use with various types of floor covering

Expansion joint cover	Joint width $b_f \text{ max}$ [mm]	Total movement Δb_f [mm]	Visible width b_s [mm]	Joint width total b_t [mm]	Joint height h [mm]	Load bearing capacity [kN]	Load bearing capacity* [kN]
FGH 65/38	50	20 (± 10)	65	148	38	30	300
FGH 65/50	50	20 (± 10)	65	171	50	30	300
FGH 65/60	50	20 (± 10)	65	171	60	30	300
FGH 65/70	50	20 (± 10)	65	171	70	30	300

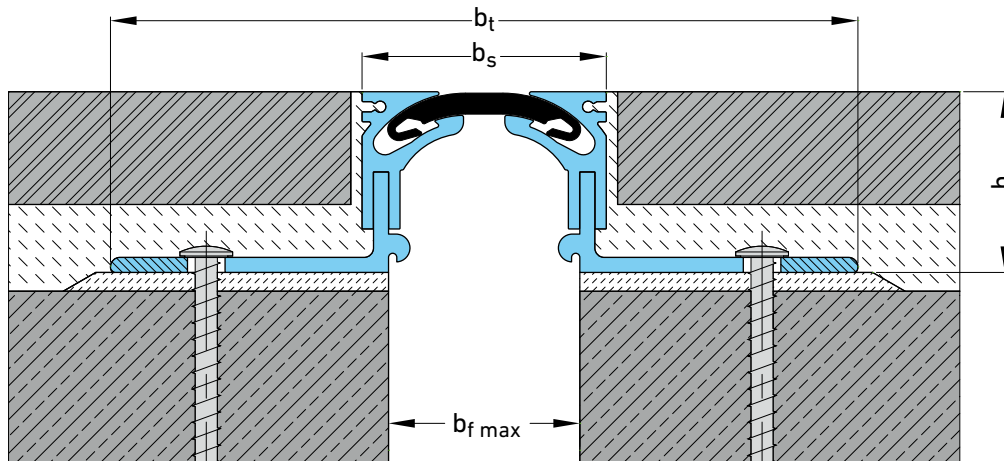
No continuous use

All information on load bearing capacity does only apply to non-floating floors.
For installation in asphalt, please ask for our technical advice.

Production length: 3 m

Standard colors: black, grey

Larger installation heights on request.

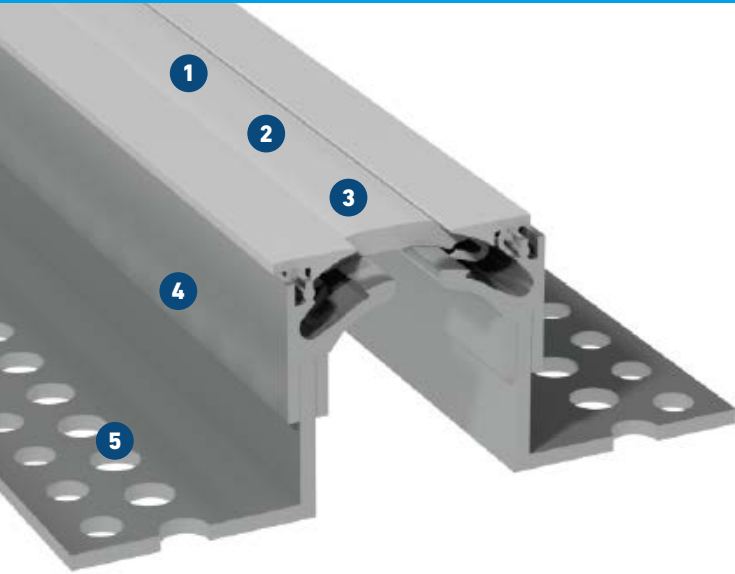


FGH 2.0

EXPANSION JOINT COVERS WITH HYGIENIC REQUIREMENTS

MIGUTEC

JOINT COVERS FOR EXPANSION JOINTS



- 1 Ultra-smooth insert for residue-free cleaning**
Ensures optimal sterility and is physiologically safe
- 2 Seamless, symmetrical visible surface**
Hard-wear special insert for smoother, low-noise transit
- 3 New: Innovative clip design**
Insert is fully replaceable over entire length of expansion joint cover
- 4 Secure fixing due to MultiHole mounting bracket**
Flexible anchoring and excellent bond
- 5 Innovative solution**
High movement capability due to innovative system

Expansion joint cover	Joint width	Total movement	Visible width	Joint width total	Joint height	Load bearing capacity	Load bearing capacity*
	$b_f \text{ max}$ [mm]	Δb_f [mm]	b_s [mm]	b_t [mm]	h [mm]	[kN]	[kN]
FGH2 65/30	50	20 (± 10)	65	148	30	30	
FGH2 65/40	50	20 (± 10)	65	151	40	30	
FGH2 65/50	50	20 (± 10)	65	171	50	30	
FGH2 65/60	50	20 (± 10)	65	171	60	30	
FGH2 65/70	50	20 (± 10)	65	171	70	30	

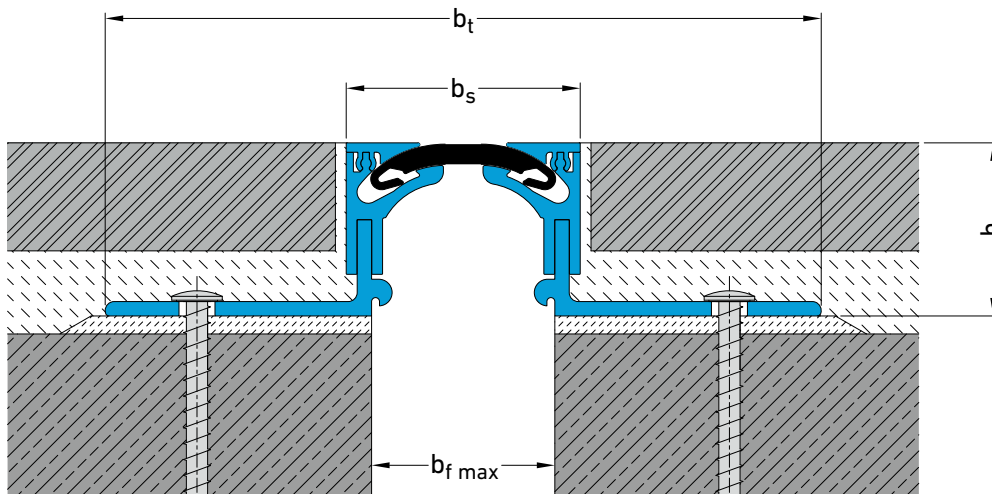
No continuous use

All information on load bearing capacity does only apply to non-floating floors.

Standard colors: black, grey

Production length: 3 m

Larger installation heights on request.

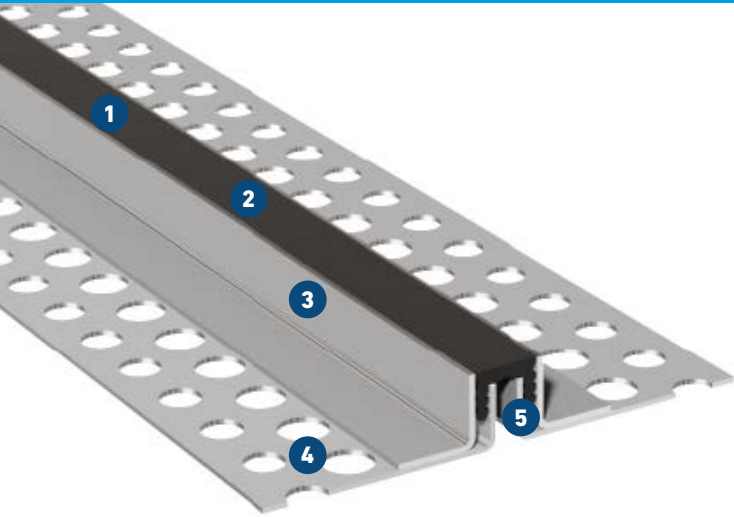


ESG 20

FOR FLOORS WITH HYGIENIC REQUIREMENTS, RESISTANT TO AGGRESSIVE FLUIDS

MIGUTEK

JOINT COVERS FOR EXPANSION JOINTS



- 1 Flexible high quality elastomeric insert**
Hard wearing, temperature resistant (-30°C to +120°C), replaceable
- 2 Smooth visible surface for easy cleaning**
Antibacterial and physiologically safe
- 3 Solid stainless steel brackets**
Resistant to aggressive media (e.g. sea water)
- 4 Secure fixing with MultiHole mounting bracket**
Firm bond and extraordinary gripping strength
- 5 Multi directional movement**
Expansion joint cover takes on settling

Expansion joint cover	Joint width	Total movement	Visible width	Joint width total	Joint height	Load bearing capacity*	Load bearing capacity*
	$b_f \text{ max}$ [mm]	Δb_f [mm]	b_s [mm]	b_t [mm]	h [mm]	[kN]	[kN]
ESG 20/20	20	2 (± 1)	20	126	20	30	30
ESG 20/35	20	2 (± 1)	20	95	35	30	30
ESG 20/40	20	2 (± 1)	20	95	40	30	30
ESG 20/50	20	2 (± 1)	20	95	50	30	30

No continuous use

Larger installation heights on request.

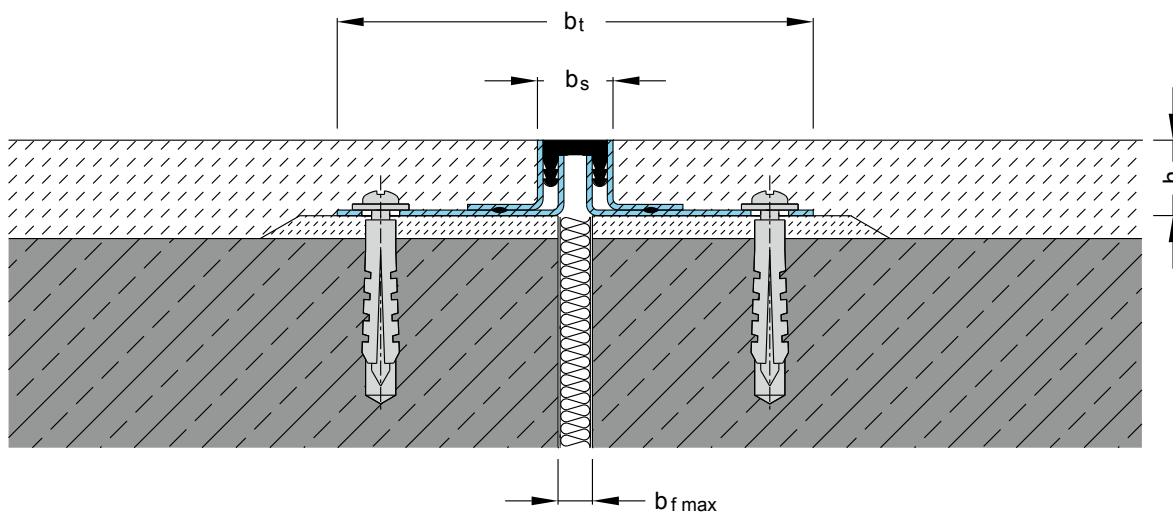
All info on load capacities apply to doweled, not to floating installation.

Material: 1.4301 (alloy 304)

Production length: 3 m (ESG 20/20: 2 m)

Standard colors: black, grey

Stainless steel: mill finish.

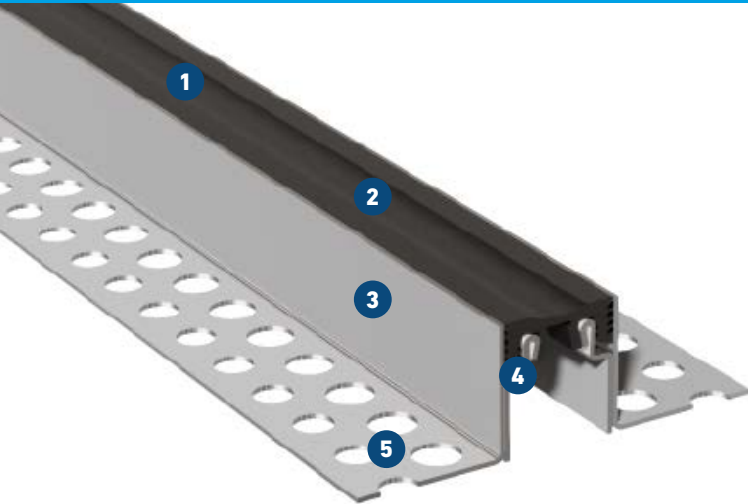


ESG 33

FOR FLOORS WITH HYGIENIC REQUIREMENTS, RESISTANT TO AGGRESSIVE FLUIDS

MIGUTEK

JOINT COVERS FOR EXPANSION JOINTS



- 1 Flexible high quality elastomeric insert**
Hard wearing, temperature resistant (-30°C to +120°C), replaceable
- 2 Smooth visible surface for easy cleaning**
Antibacterial and physiologically safe
- 3 Solid stainless steel brackets**
Resistant to aggressive media (e.g. sea water)
- 4 Multi directional movement**
Expansion joint cover takes on settling
- 5 Secure fixing with MultiHole mounting bracket**
Firm bond and extraordinary gripping strength

Expansion joint cover	Joint width	Total movement	Visible width	Joint width total	Joint height	Load bearing capacity [kN]	Load bearing capacity [kN]
	$b_f \text{ max}$ [mm]	Δb_f [mm]	b_s [mm]	b_t [mm]	h [mm]		
ESG 33/15	30	6 (± 3)	33	139	15	30	30
ESG 33/35	30	6 (± 3)	33	108	35	30	30
ESG 33/40	30	6 (± 3)	33	108	40	30	30
ESG 33/50	30	6 (± 3)	33	108	50	30	30

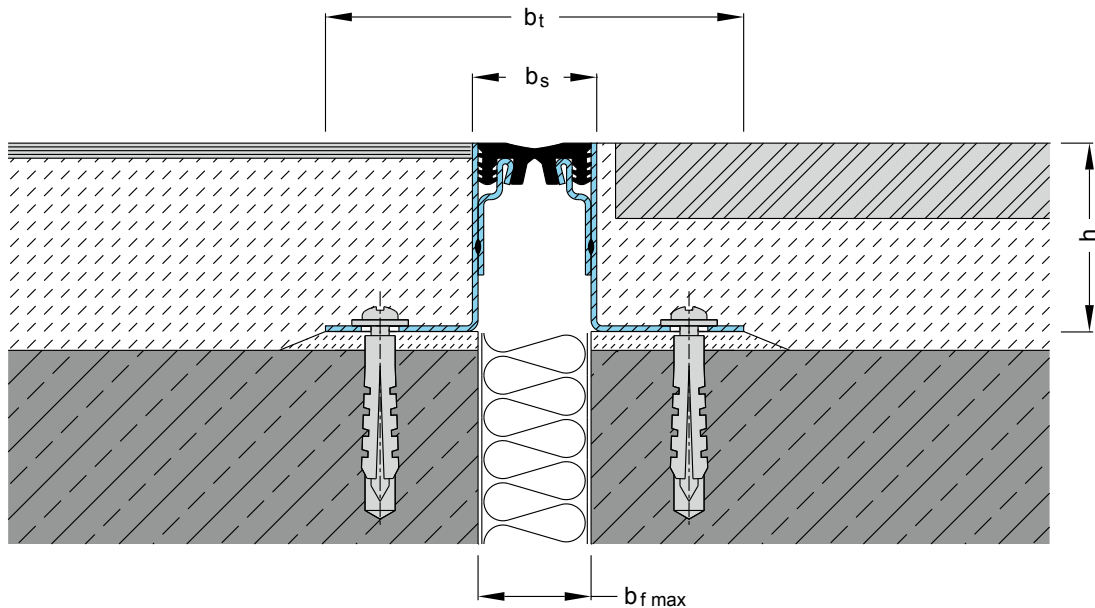
Larger installation heights on request.

All info on load capacities apply to doweled, not to floating installation.

Material: 1.4301 (alloy 304)

Production length: 3 m (ESG 33/15: 2 m)

Standard colors: black, grey, beige, brown. **Stainless steel:** mill finish.

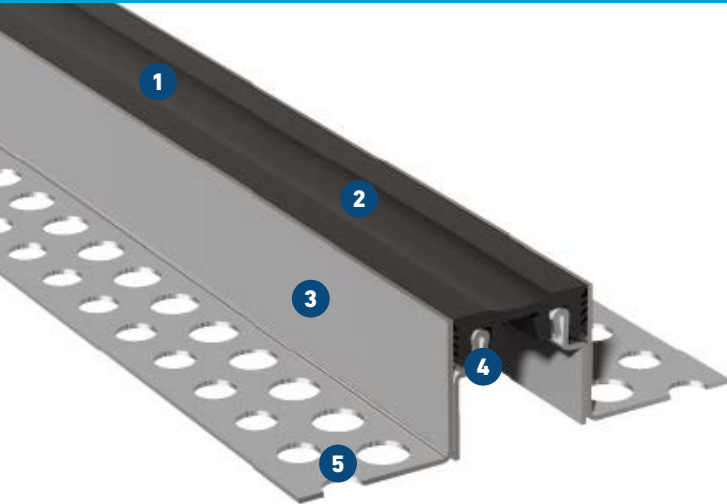


ESG 39

FOR FLOORS WITH HYGIENIC REQUIREMENTS, RESISTANT TO AGGRESSIVE FLUIDS

MIGUTEK

JOINT COVERS FOR EXPANSION JOINTS



- 1 Flexible high quality elastomeric insert**
Hard wearing, temperature resistant (-30°C to +120°C), replaceable
- 2 Smooth visible surface for easy cleaning**
Antibacterial and physiologically safe
- 3 Solid stainless steel brackets**
Resistant to aggressive media (e.g. sea water)
- 4 Multi directional movement**
- 5 MultiHole mounting bracket**
for secure fixing

Expansion joint cover	Joint width	Total movement	Visible width	Joint width total	Joint height	Load bearing capacity* [kN]	Load bearing capacity* [kN]
	$b_f \text{ max}$ [mm]	Δb_f [mm]	b_s [mm]	b_t [mm]	h [mm]		
ESG 39/15	35	6 (± 3)	39	145	15	30	30
ESG 39/35	35	6 (± 3)	39	114	35	30	30
ESG 39/40	35	6 (± 3)	39	114	40	30	30
ESG 39/50	35	6 (± 3)	39	114	50	30	30

No continuous use

Larger installation heights on request.

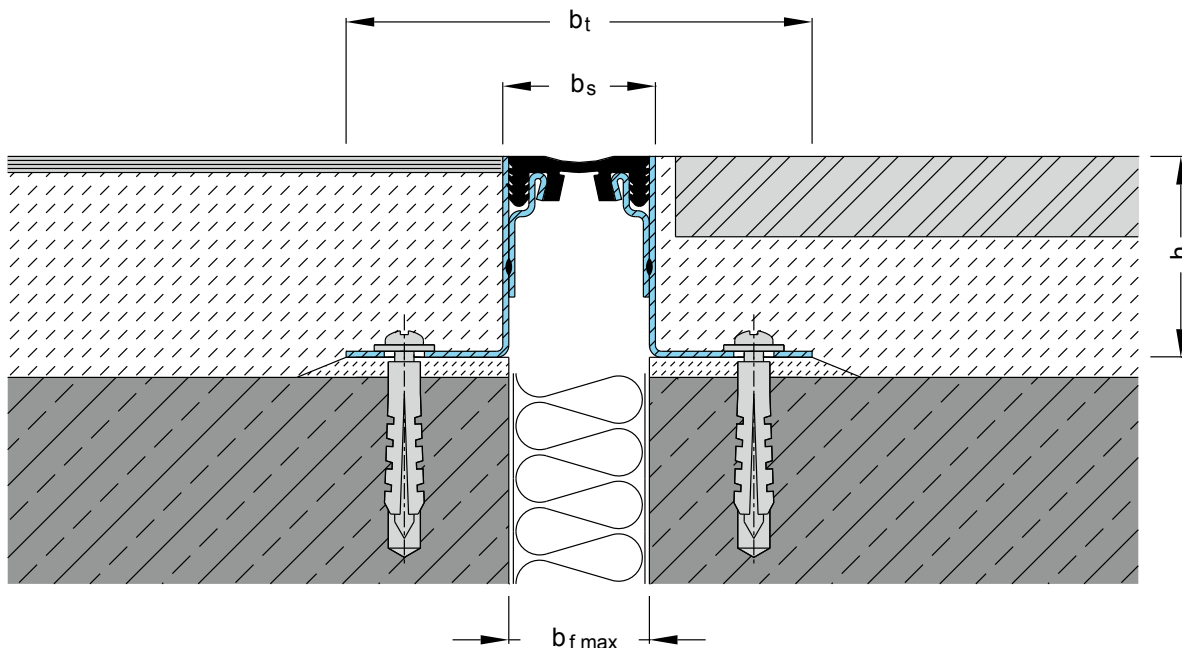
All information on load bearing capacity does only apply to non-floating floors.

For installation in asphalt, please ask for our technical advice.

Material: 1.4301 (alloy 304)

Production length: 3 m (ESG 39/15: 2 m)

Standard colors: black, grey, beige

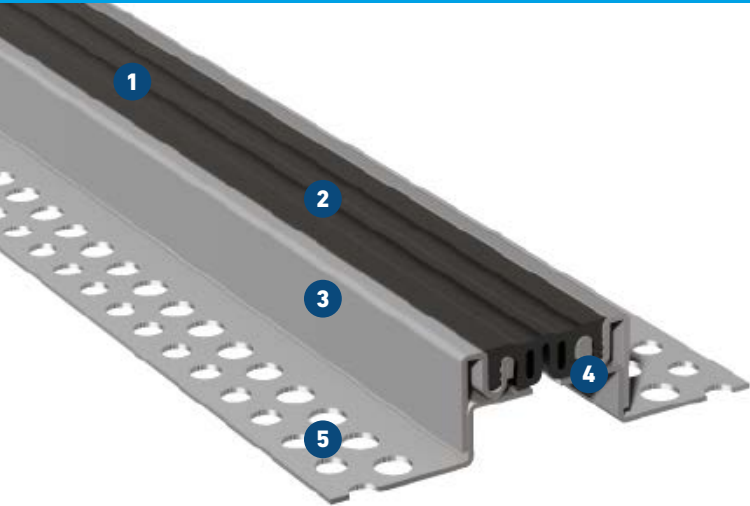


ESG 60

FOR FLOORS WITH HYGIENIC REQUIREMENTS, RESISTANT TO AGGRESSIVE FLUIDS

MIGUTEK

JOINT COVERS FOR EXPANSION JOINTS



- 1 Flexible high quality elastomeric insert**
Hard wearing, temperature resistant (-30°C to +120°C), replaceable
- 2 Smooth visible surface for easy cleaning**
Antibacterial and physiologically safe
- 3 Solid stainless steel brackets**
Resistant to aggressive media (e.g. sea water)
- 4 High load capacity**
suitable for Forklift trucks
- 5 MultiHole mounting bracket**
for secure fixing

Multi directional movement

Expansion joint cover	Joint width $b_f \text{ max}$ [mm]	Total movement Δb_f [mm]	Visible width b_s [mm]	Joint width total b_t [mm]	Joint height h [mm]	Load bearing capacity [kN]	Load bearing capacity [kN]	Load bearing capacity [kN]
ESG 60/19	40	8 (± 4)	60	160	19	30	90	35
ESG 60/35	50	8 (± 4)	60	152	35	30	90	35

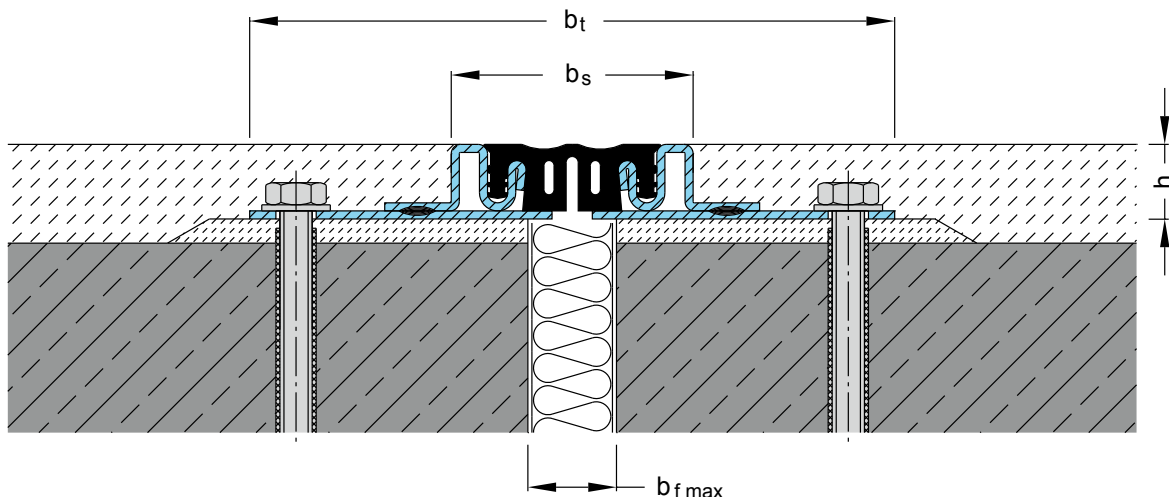
Larger installation heights on request.

All information on load bearing capacity does only apply to non-floating floors.

Material: 1.4401 (alloy 316)

Production length: 4 m

Standard colors: grey



FNG 20

FOR FLOORS WITH HYGIENIC REQUIREMENTS – SURFACE FIXING

MIGUTEC

JOINT COVERS FOR EXPANSION JOINTS



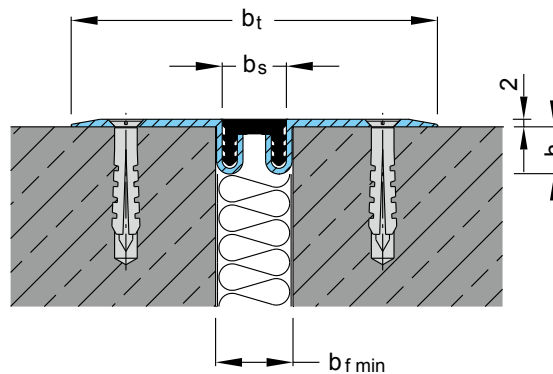
- 1 Flexible high quality elastomeric insert**
Hard wearing, temperature resistant (-30°C to +120°C)
- 2 Economical**
Insert replaceable at any time
- 3 Anti slip surface ensures good skid resistance**
Special striated surface, also suitable for sports areas
- 4 Very flat design**
Perfect for surface fixing

Expansion joint cover	Total movement Δb_f [mm]	Joint width total b_t [mm]	Joint width required $b_f \text{ min}$ [mm]	Width of insert b_s [mm]	Installation height h [mm]	Thickness of alu side plates [mm]	Load bearing capacity* 
FNG 20	2 (± 1)	97	20	17	12	2	pedestrians

* Light vehicles on request.

Production length: 4 m

Standard colors: black, grey



FNG 35


FOR FLOORS WITH HYGIENIC REQUIREMENTS – SURFACE FIXING

MIGUTEC

JOINT COVERS FOR EXPANSION JOINTS



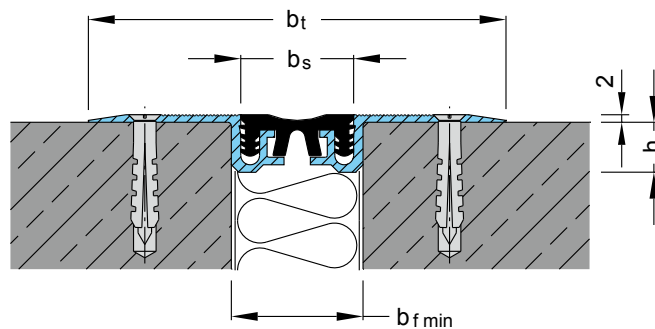
- 1 Flexible high quality elastomeric insert**
Hard wearing, temperature resistant (-30°C to +120°C)
- 2 Economical**
Insert replaceable at any time
- 3 Anti slip surface ensures good skid resistance**
Special striated surface, also suitable for sports areas
- 4 Very flat design**
Perfect for surface fixing

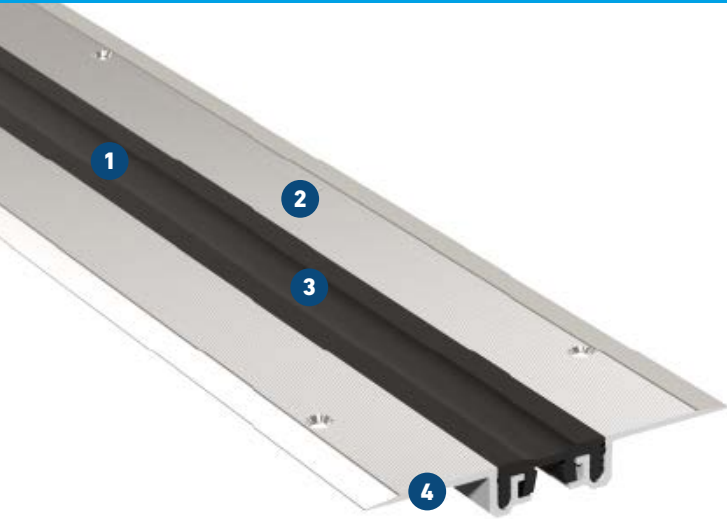
Expansion joint cover	Total movement Δb_f [mm]	Joint width total b_t [mm]	Joint width required $b_{f \text{ min}}$ [mm]	Width of insert b_s [mm]	Installation height h [mm]	Thickness of alu side plates [mm]	Load bearing capacity* 
FNG 35	6 (± 3)	112	35	30	13	2	pedestrians

* Light vehicles on request.


Production length: 4 m

Standard colors: black, grey, beige, brown





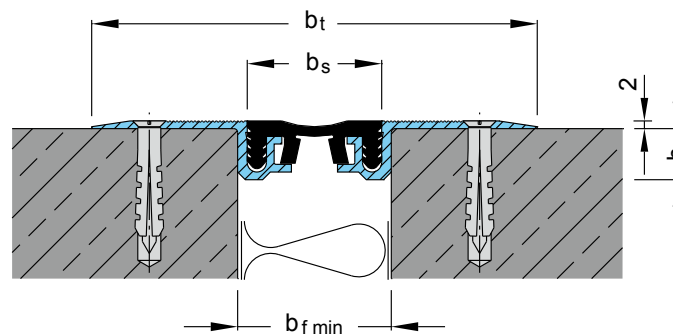
- 1 Flexible high quality elastomeric insert**
Hard wearing, temperature resistant (-30°C to +120°C)
- 2 Anti slip surface ensures good skid resistance**
Special striated surface, also suitable for sports areas
- 3 Economical**
Insert replaceable at any time
- 4 Very flat design**
Perfect for surface fixing

Expansion joint cover	Total movement Δb_f [mm]	Joint width total b_t [mm]	Joint width required $b_{f \text{ min}}$ [mm]	Width of insert b_s [mm]	Installation height h [mm]	Thickness of alu side plates [mm]	Load bearing capacity* 
FNG 41	6 (± 3)	118	41	35	13	2	pedestrians

* Light vehicles on request.

Production length: 4 m

Standard colors: black, grey, beige

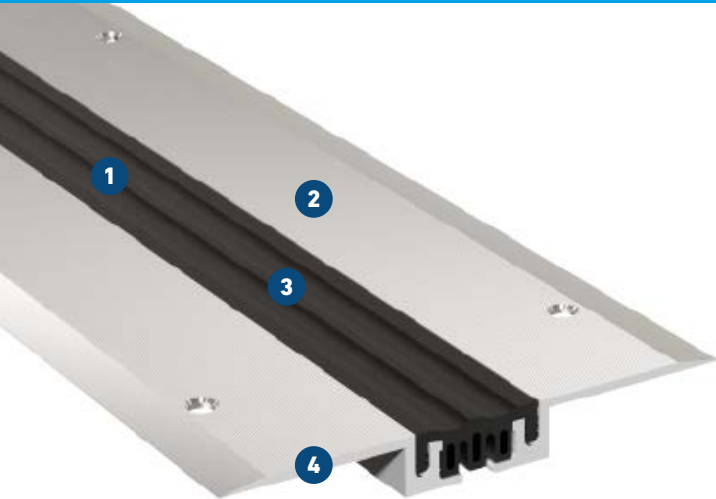


FNG 50

FOR FLOORS WITH HYGIENIC REQUIREMENTS – SURFACE FIXING

MIGUTEC

JOINT COVERS FOR EXPANSION JOINTS



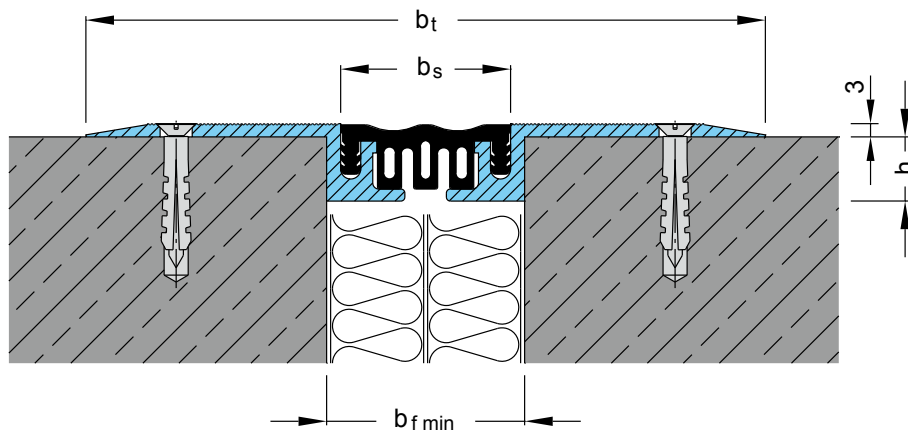
- 1 Flexible high quality elastomeric insert**
Hard wearing, temperature resistant (-30°C to +120°C)
- 2 Anti slip surface ensures good skid resistance**
Special striated surface, also suitable for sports areas
- 3 Economical**
Insert replaceable at any time
- 4 Very flat design**
Perfect for surface fixing

Expansion joint cover	Total movement Δb_f [mm]	Joint width total b_t [mm]	Joint width required $b_{f \text{ min}}$ [mm]	Width of insert b_s [mm]	Installation height h [mm]	Thickness of alu side plates [mm]	Load bearing capacity* 
FNG 50	8 (± 4)	170	50	43	16	3	pedestrians

* Light vehicles on request.

Production length: 4 m

Standard colors: black, grey, beige



FN 20

FOR FLOORS – SURFACE FIXING

MIGUTEC

JOINT COVERS FOR EXPANSION JOINTS



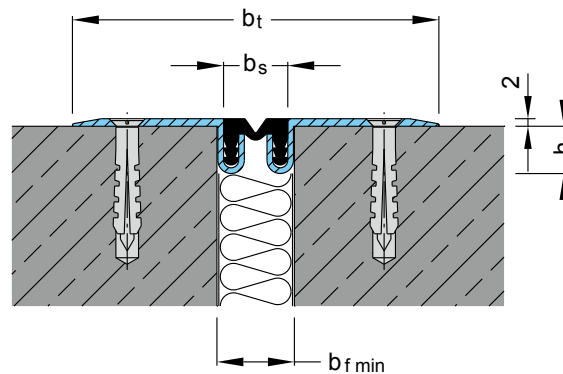
- 1 Anti slip surface ensures good skid resistance**
Special striated surface, also suitable for sports areas
- 2 Flexible high quality elastomeric insert**
Hard wearing, temperature resistant (-30°C to +120°C)
- 3 Economical**
Insert replaceable at any time
- 4 Very flat design**
Perfect for surface fixing

Expansion joint cover	Total movement Δb_f [mm]	Joint width total b_t [mm]	Joint width required $b_f \text{ min}$ [mm]	Width of insert b_s [mm]	Installation height h [mm]	Thickness of alu side plates [mm]	Load bearing capacity* 
FN 20	5 (+3/-2)	97	20	17	12	2	pedestrians

* Light vehicles on request.

Production length: 4 m

Standard colors: black, grey

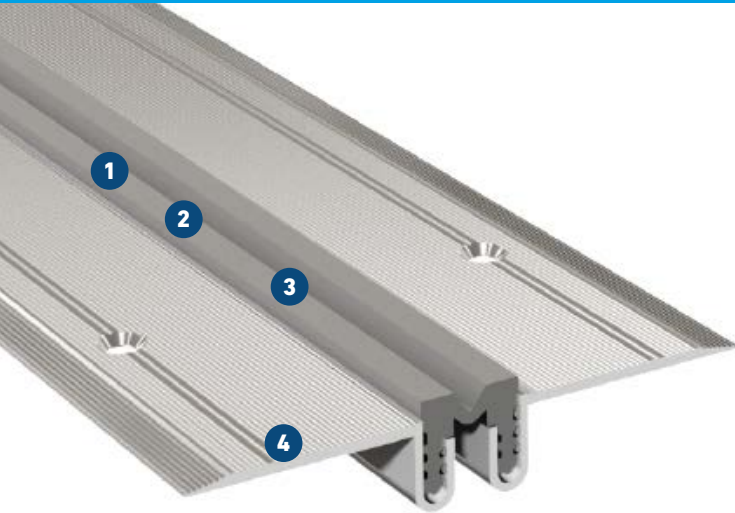


FKN 20


FOR FLOORS WITH PVC OR LINOLEUM – SURFACE FIXING

MIGUTEK

JOINT COVERS FOR EXPANSION JOINTS



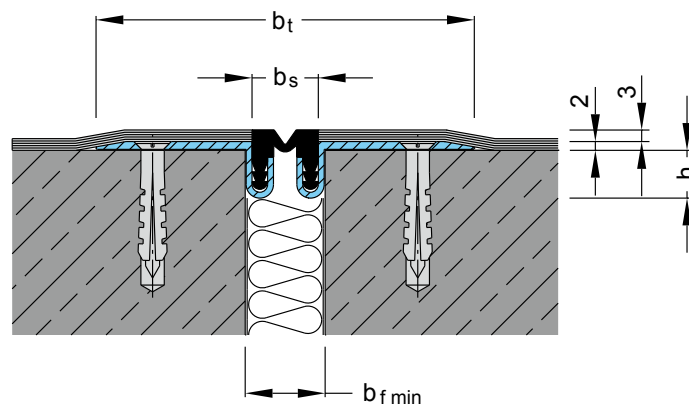
- 1 Perfectly designed insert**
3 mm high upstand can be welded with PVC floorings
- 2 Flexible high quality elastomeric insert**
Hard wearing, temperature resistant (-30°C to +120°C)
- 3 Economical**
Insert replaceable at any time
- 4 Very flat design**
Perfect for surface fixing

Expansion joint cover	Total movement Δb_f [mm]	Joint width total b_t [mm]	Joint width required $b_{f \text{ min}}$ [mm]	for coverings thickness [mm]	Width of insert b_s [mm]	Installation height h [mm]	Thickness of alu side plates [mm]	Load bearing capacity* 
FKN 20	5 (+3/-2)	97	20	3	17	12	2	pedestrians

* Light vehicles on request.


Production length: 4 m

Standard colors: grey





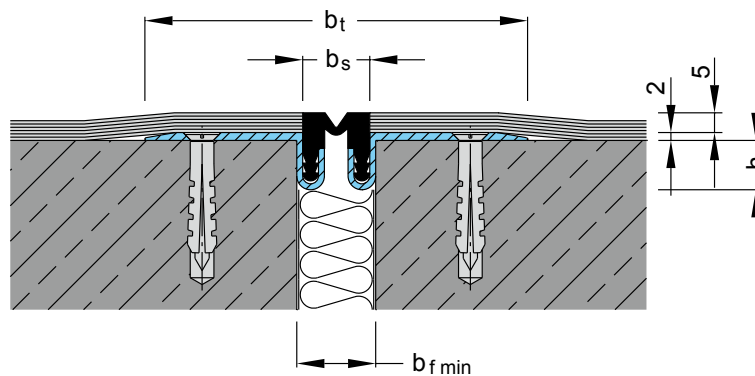
- 1 Perfectly designed insert**
5 mm high upstand in conjunction with carpets
- 2 Flexible high quality elastomeric insert**
Hard wearing, temperature resistant (-30°C to +120°C)
- 3 Economical**
Insert replaceable at any time
- 4 Very flat design**
Perfect for surface fixing

Expansion joint cover	Total movement Δb_f [mm]	Joint width total b_t [mm]	Joint width required $b_{f \text{ min}}$ [mm]	for coverings thickness [mm]	Width of insert b_s [mm]	Installation height h [mm]	Thickness of alu side plates [mm]	Load bearing capacity* 
FTN 20	5 (+3/-2)	97	20	5	17	12	2	pedestrians

* Light vehicles on request.

Production length: 4 m

Standard colors: black, grey



FN 35


FOR FLOORS – SURFACE FIXING

MIGUTEC

JOINT COVERS FOR EXPANSION JOINTS



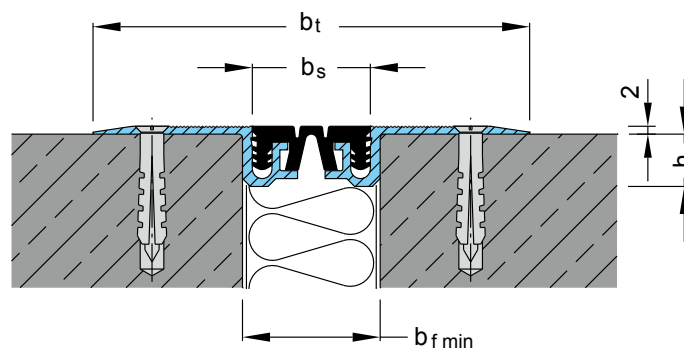
- 1 Anti slip surface ensures good skid resistance**
Special striated surface, also suitable for sports areas
- 2 Flexible high quality elastomeric insert**
Hard wearing, temperature resistant (-30°C to +120°C)
- 3 Economical**
Insert replaceable at any time
- 4 Very flat design**
Perfect for surface fixing

Expansion joint cover	Total movement Δb_f [mm]	Joint width total b_t [mm]	Joint width required $b_f \text{ min}$ [mm]	Width of insert b_s [mm]	Installation height h [mm]	Thickness of alu side plates [mm]	Load bearing capacity* 
FN 35	10 (± 5)	112	35	30	13	2	pedestrians

* Light vehicles on request.

Production length: 4 m

Standard colors: black, grey, beige

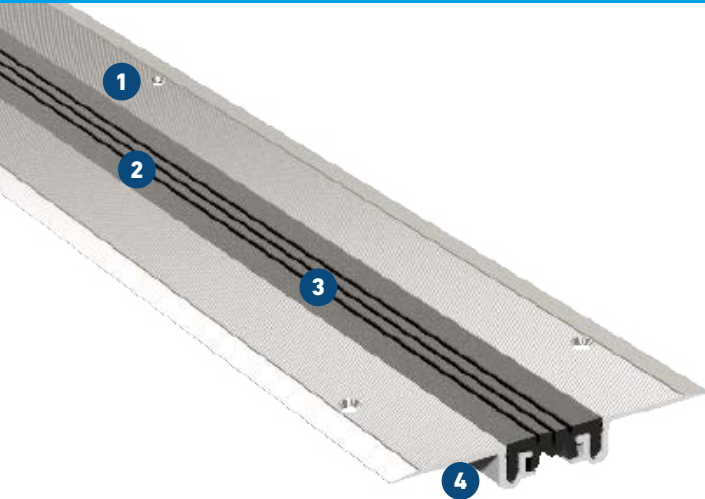


FN 41


FOR FLOORS – SURFACE FIXING

MIGUTEK

JOINT COVERS FOR EXPANSION JOINTS



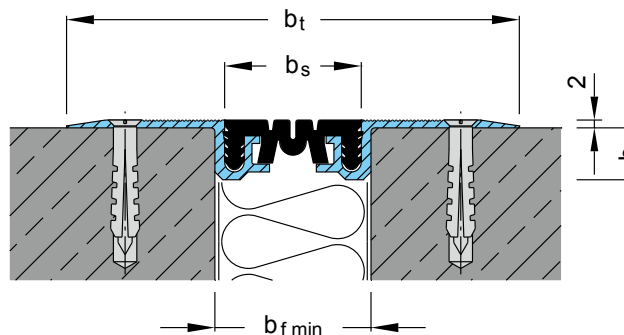
- 1 Anti slip surface ensures good skid resistance**
Special striated surface, also suitable for sports areas
- 2 Flexible high quality elastomeric insert**
Hard wearing, temperature resistant (-30°C to +120°C)
- 3 Economical**
Insert replaceable at any time
- 4 Very flat design**
Perfect for surface fixing

Expansion joint cover	Total movement Δb_f [mm]	Joint width total b_t [mm]	Joint width required $b_{f \text{ min}}$ [mm]	Width of insert b_s [mm]	Installation height h [mm]	Thickness of alu side plates [mm]	Load bearing capacity 
FN 41	14 (± 7)	118	41	35	13	2	pedestrians

* Light vehicles on request.

Production length: 4 m

Standard colors: black, grey, beige, brown



FKN 35


FOR FLOORS WITH PVC OR LINOLEUM – SURFACE FIXING

MIGUTEC

JOINT COVERS FOR EXPANSION JOINTS



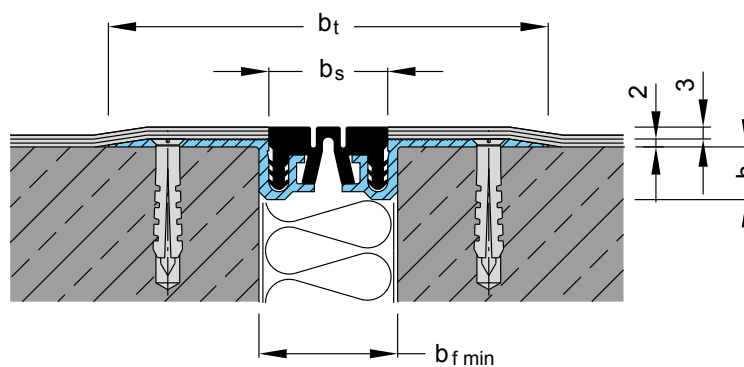
- 1 Perfectly designed insert**
3 mm high upstand can be welded with PVC floorings
- 2 Flexible high quality elastomeric insert**
Hard wearing, temperature resistant (-30°C to +120°C)
- 3 Economical**
Insert replaceable at any time
- 4 Very flat design**
Perfect for surface fixing

Expansion joint cover	Total movement Δb_f [mm]	Visible width b_t [mm]	Joint width total b_t [mm]	Joint width required $b_f \text{ min}$ [mm]	for coverings thickness [mm]	Width of insert b_s [mm]	Installation height h [mm]	Thickness of alu side plates [mm]	Load bearing capacity* 
FKN 35	10 (± 5)	30	112	35	-	30	13	2	pedestrians

* Light vehicles on request.

Production length: 4 m

Standard colors: black, grey, beige, brown



FTN 35

FOR FLOORS WITH CARPET – SURFACE FIXING

MIGUTEK

JOINT COVERS FOR EXPANSION JOINTS



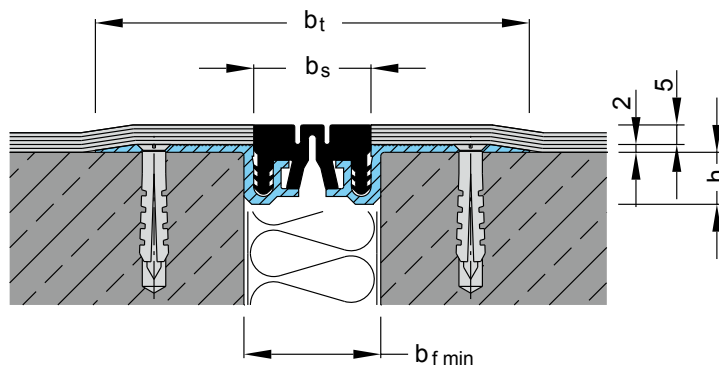
- 1 Perfectly designed insert**
5 mm high upstand in conjunction with carpets
- 2 Flexible high quality elastomeric insert**
Hard wearing, temperature resistant (-30°C to +120°C)
- 3 Economical**
Insert replaceable at any time
- 4 Very flat design**
Perfect for surface fixing

Expansion joint cover	Total movement Δb_f [mm]	Visible width b_t [mm]	Joint width total b_t [mm]	Joint width required $b_f \text{ min}$ [mm]	for coverings thickness [mm]	Width of insert b_s [mm]	Installation height h [mm]	Thickness of alu side plates [mm]	Load bearing capacity*
FTN 35	10 (± 5)	30	112	35	5	30	13	2	pedestrians

* Light vehicles on request.

Production length: 4 m

Standard colors: black, grey, beige

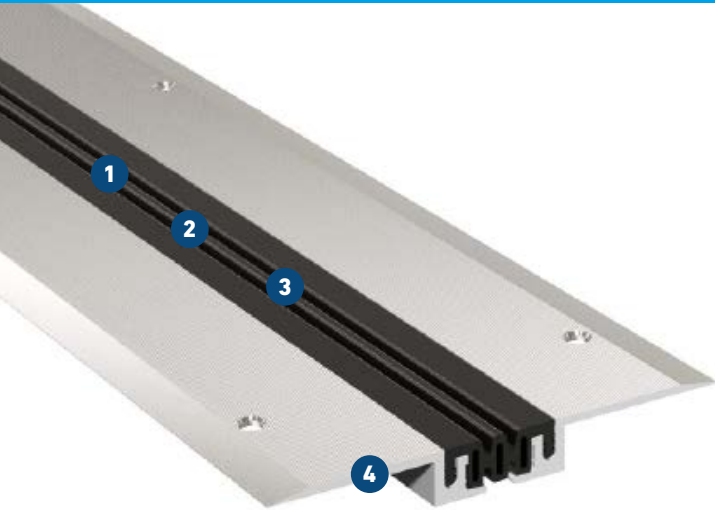


FN 50


FOR FLOORS – SURFACE FIXING

MIGUTEC

JOINT COVERS FOR EXPANSION JOINTS



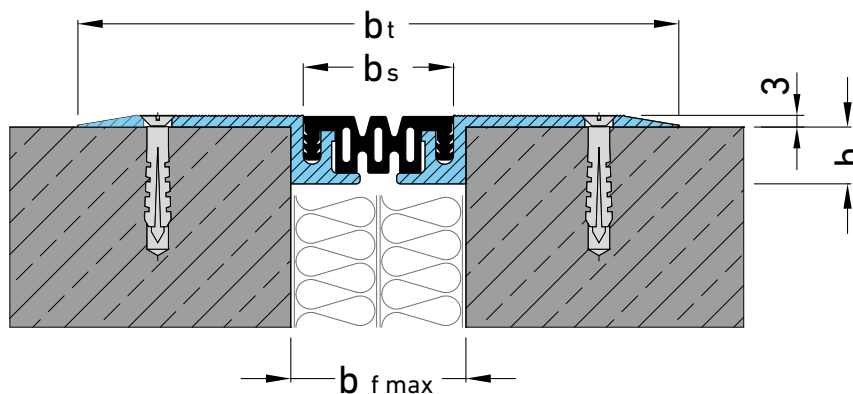
- 1 Anti slip surface ensures good skid resistance**
Special striated surface, also suitable for sports areas
- 2 Flexible high quality elastomeric insert**
Hard wearing, temperature resistant (-30°C to +120°C)
- 3 Economical**
Insert replaceable at any time
- 4 Very flat design**
Perfect for surface fixing

Expansion joint cover	Total movement Δb_f [mm]	Joint width total b_t [mm]	Joint width required $b_f \text{ min}$ [mm]	Width of insert b_s [mm]	Installation height h [mm]	Thickness of alu side plates [mm]	Load bearing capacity* 
FN 50	16 (±8)	170	50	43	16	3	pedestrians

* Light vehicles on request.

Production length: 4 m

Standard colors: black, grey, beige



FKN 50

FOR FLOORS WITH PVC OR LINOLEUM – SURFACE FIXING

MIGUTEC

JOINT COVERS FOR EXPANSION JOINTS



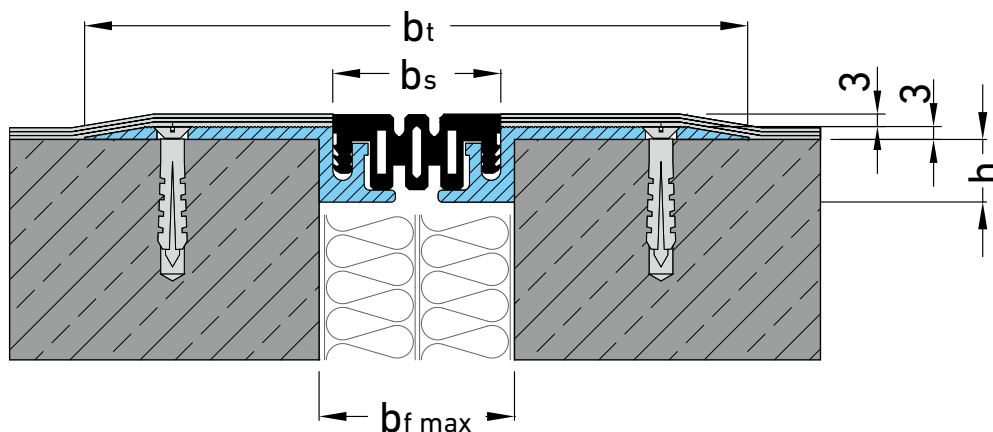
- 1 Perfectly designed insert**
3 mm high upstand can be welded with PVC floorings
- 2 Flexible high quality elastomeric insert**
Hard wearing, temperature resistant (-30°C to +120°C)
- 3 Economical**
Insert replaceable at any time
- 4 Very flat design**
Perfect for surface fixing

Expansion joint cover	Total movement Δb_f [mm]	Joint width total b_t [mm]	Joint width required $b_f \text{ min}$ [mm]	for coverings thickness [mm]	Width of insert b_s [mm]	Installation height h [mm]	Thickness of alu side plates [mm]	Load bearing capacity*
FKN 50	16 (± 8)	170	50	3	43	16	3	pedestrians

* Light vehicles on request.

Production length: 4 m

Standard colours: black, grey

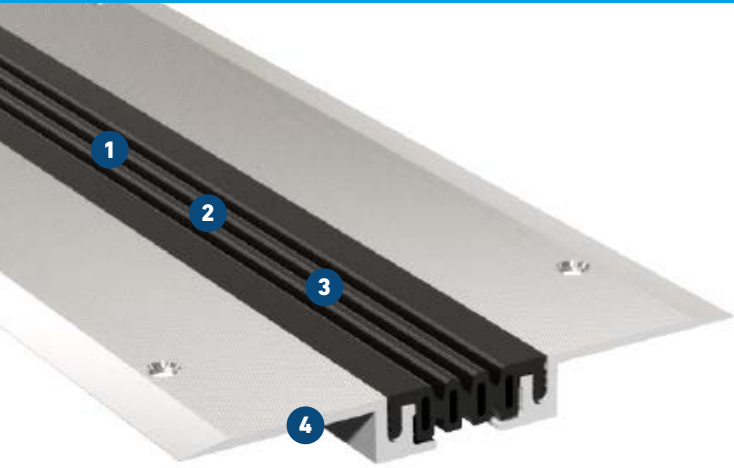


FN 58


FOR FLOORS – SURFACE FIXING

MIGUTEC

JOINT COVERS FOR EXPANSION JOINTS



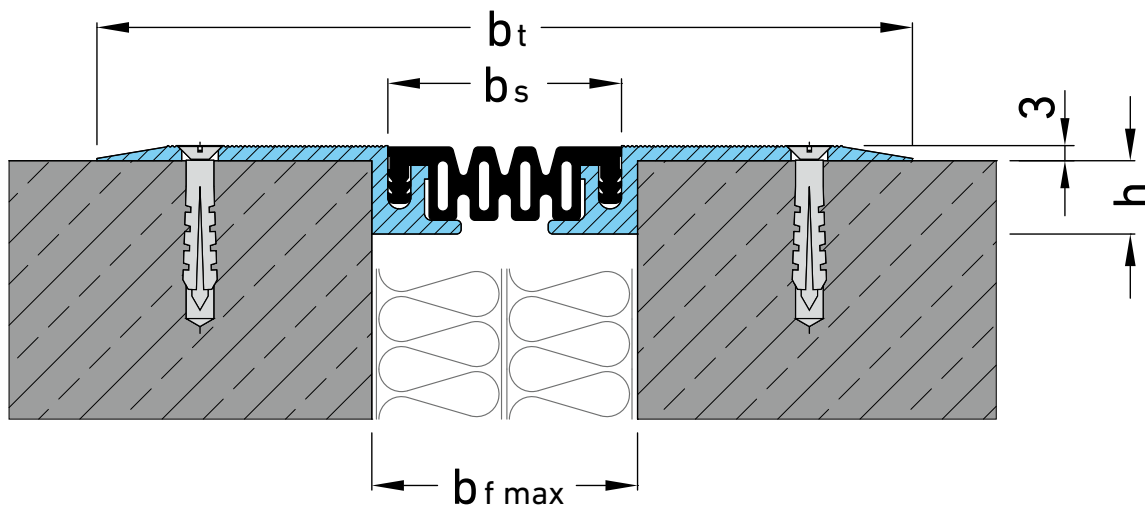
- 1 Anti slip surface ensures good skid resistance**
Special striated surface, also suitable for sports areas
- 2 Flexible high quality elastomeric insert**
Hard wearing, temperature resistant (-30°C to +120°C)
- 3 Economical**
Insert replaceable at any time
- 4 Very flat design**
Perfect for surface fixing

Expansion joint cover	Total movement Δb_f [mm]	Joint width total b_t [mm]	Joint width required $b_f \text{ min}$ [mm]	Width of insert b_s [mm]	Installation height h [mm]	Thickness of alu side plates [mm]	Load bearing capacity* 
FN 58	22 (± 11)	178	60	52	16	3	pedestrians

* Light vehicles on request.

Production length: 4 m

Standard colors: black, grey, beige

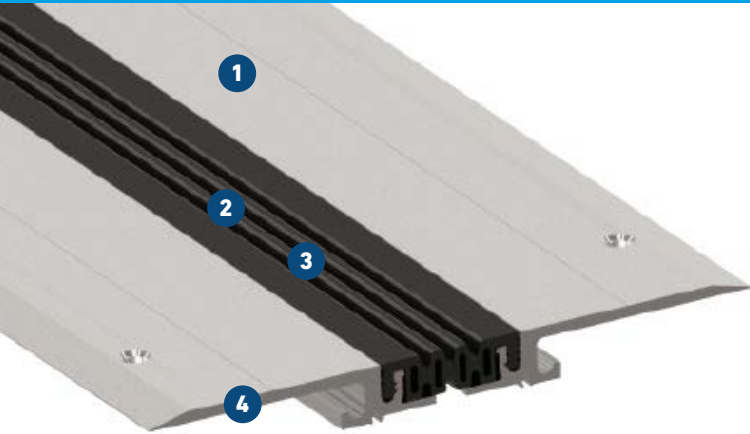


FN 65 / FN 85

FOR FLOORS – SURFACE FIXING

MIGUTEC

JOINT COVERS FOR EXPANSION JOINTS



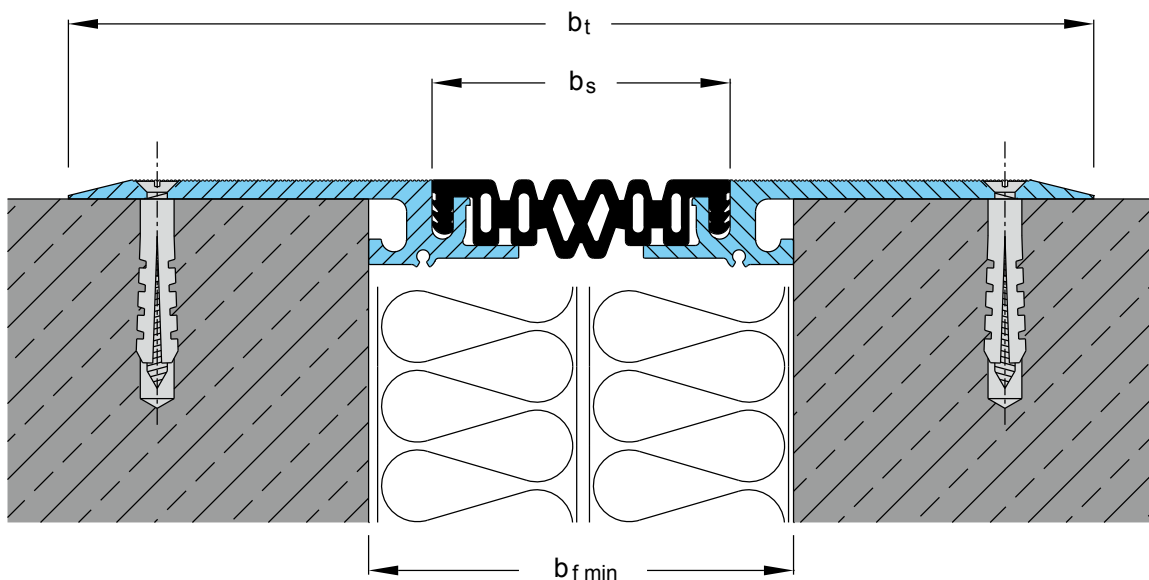
- 1 Anti slip surface ensures good skid resistance**
Special striated surface, also suitable for sports areas
- 2 Flexible high quality elastomeric insert**
Hard wearing, temperature resistant (-30°C to +120°C)
- 3 Economical**
Insert replaceable at any time
- 4 Very flat design**
Perfect for surface fixing

Expansion joint cover	Total movement	Visible Width b_s [mm]	Joint width total b_t [mm]	Joint width required b_f min [mm]	Installation height h [mm]	Thickness of alu side plates [mm]	Covering Width [mm]	Load bearing capacity*
	Δb_f [mm]							
FN 65	22 (\pm 11)		224	80	18	4	52	pedestrians
FN 85	30 (\pm 15)		242	100	18	4	70	pedestrians

* Light vehicles on request.

Production length: 4 m

Standard colors: black, grey, beige

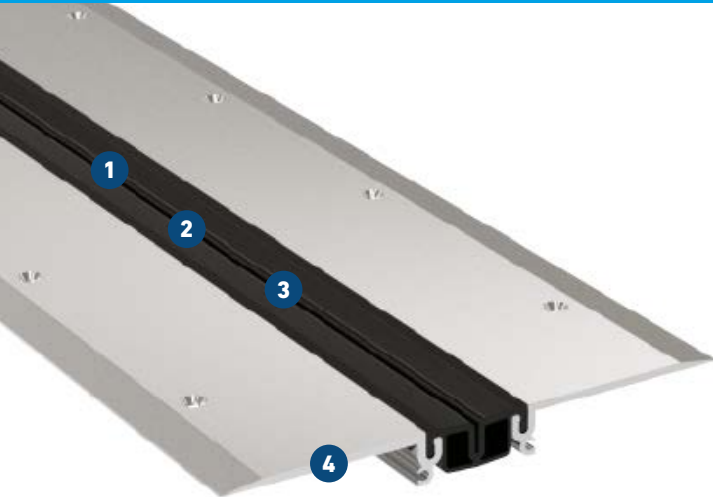


FN 110


FOR FLOORS – SURFACE FIXING

MIGUTEC

JOINT COVERS FOR EXPANSION JOINTS



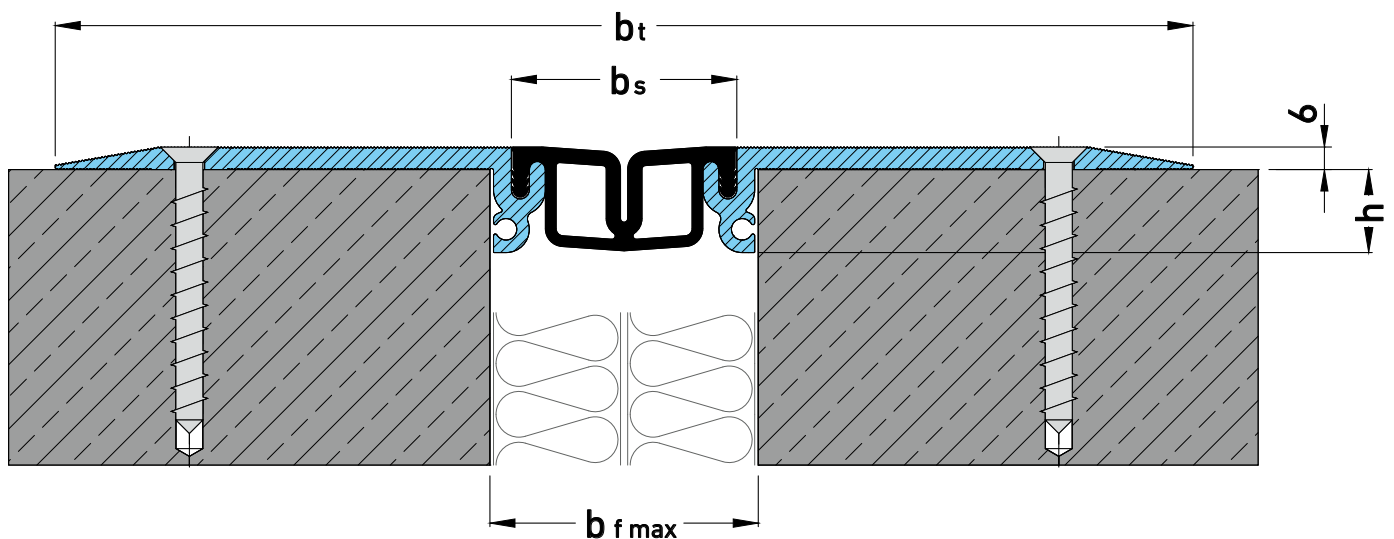
- 1 Anti slip surface ensures good skid resistance**
 Special striated surface, also suitable for sports areas
- 2 Flexible MIGUFLEX insert**
 Hard wearing, temperature resistant (-30°C to +120°C)
- 3 Economical**
 Insert replaceable at any time
- 4 Very flat design**
 Perfect for surface fixing

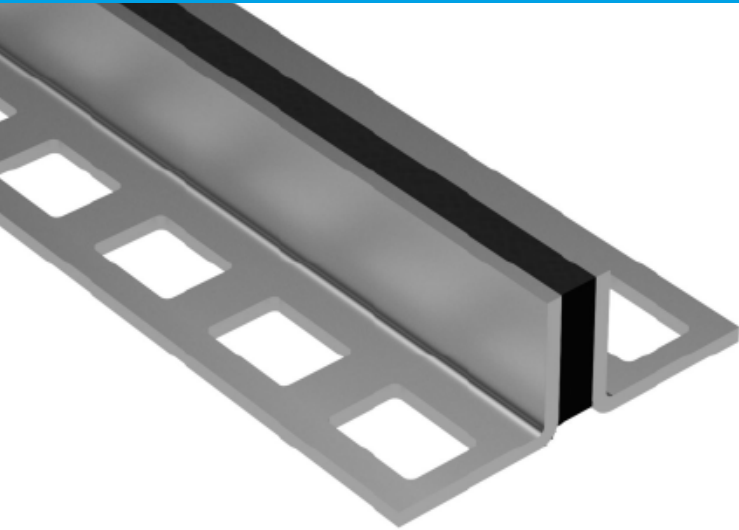
Expansion joint cover	Total movement Δb_f [mm]	Joint width total b_t [mm]	Joint width required $b_f \text{ min}$ [mm]	Width of insert b_s [mm]	Installation height h [mm]	Thickness of alu side plates [mm]	Load bearing capacity  [kN]
FN 110	60 (±30)	311	75	64	40	6,3	35

Installation instructions: Any unevenness in the surface to which the joint cover is being fixed must be remedied by using an epoxy adhesive e.g. Reckli-Adhesive EP. Thereafter the aluminium brackets must be fixed on both sides with countersunk stainless steel screws e.g. Multi Monti type MMS-7,5 ES or similar, at 200 mm intervals.

Production length: 4 m

Standard colors: black





Fit for traffic with pallet trucks or forklift trucks

Under the condition of sufficient load-bearing capacity of the ground

With solid aluminium brackets

EPDM insert covers entire joint height

UV/Ozone consistent

High resistancy against chemicals

Slim visible surface

High pressure and deformation resistancy of the EPDM filler material

Smoothed surface for better connection with adjacent flooring

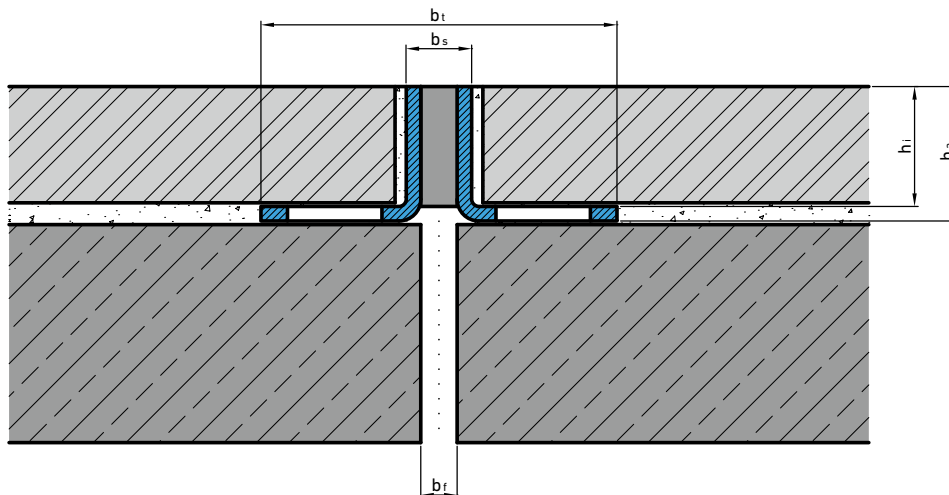
Suitable for subsequent grinding

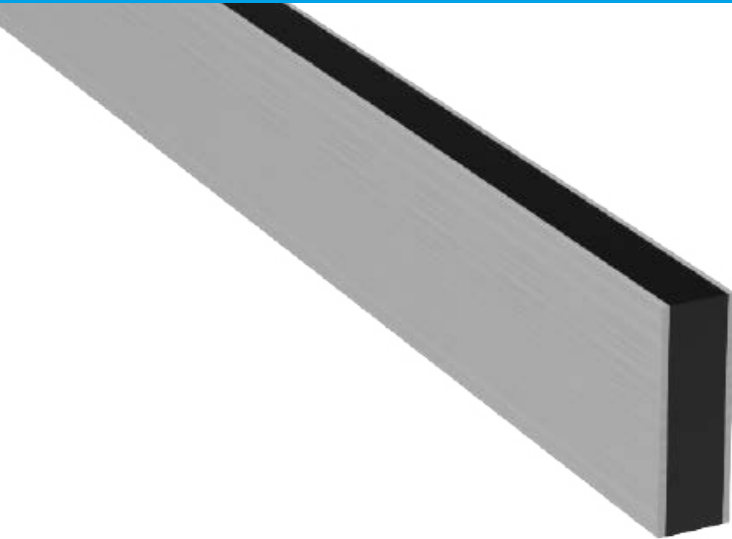
Reduction of sound impact

Expansion joint cover	Joint width max.	Total movement	Visible width	Joint width total	Joint height total	Clear height	Load bearing capacity	Load bearing capacity
	b_f [mm]	Δb_f [mm]	b_s [mm]	b_t [mm]	h_a [mm]	h_i [mm]	[kN]	[kN]
ESF-L 9/18 AL	5	2 (± 1 mm)	9	49	18,5	16,5	300	35
ESF-L 9/19 AL	5	2 (± 1 mm)	9	49	19	17	300	35
ESF-L 9/20 AL	5	2 (± 1 mm)	9	49	20,5	18,5	300	35
ESF-L 9/22 AL	5	2 (± 1 mm)	9	49	22	20	300	35
ESF-L 9/24 AL	5	2 (± 1 mm)	9	49	24	22	300	35
ESF-L 9/27 AL	5	2 (± 1 mm)	9	49	27	25	300	35
ESF-L 9/32 AL	5	2 (± 1 mm)	9	49	32	30	300	35
ESF-L 9/42 AL	5	2 (± 1 mm)	9	49	42	40	300	35
ESF-L 9/52 AL	5	2 (± 1 mm)	9	49	52	50	300	35

Production length: 2.50 m

EPDM colours: Black, Grey, Beige.





Fit for traffic with pallet trucks or forklift trucks

Under the condition of sufficient load-bearing capacity of the ground

With solid aluminium brackets

EPDM insert covers entire joint height

UV/Ozone consistent

High resistancy against chemicals



Slim visible surface

High pressure and deformation resistancy of the EPDM filler material

Smoothed surface for better connection with adjacent flooring

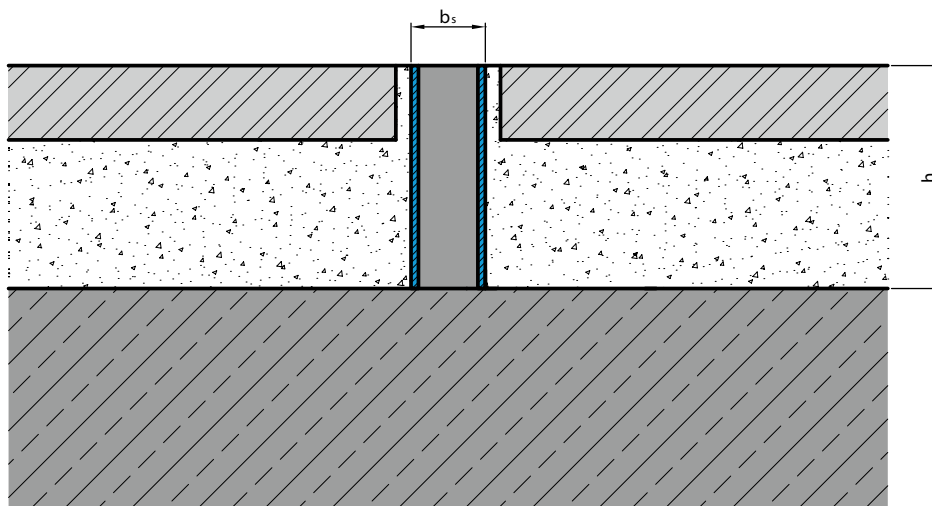
Suitable for subsequent grinding

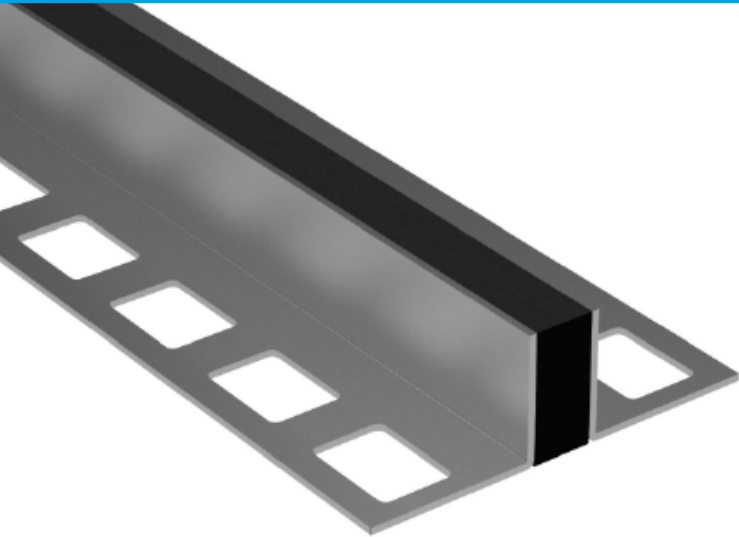
Reduction of sound impact

Expansion joint cover	Total movement	Visible width b_s [mm]	Joint height total h [mm]	Load bearing capacity  [kN]	Load bearing capacity  [kN]
	Δb_f [mm]				
ESF-U 10/10 AL	2 (\pm 1mm)	10	10	300	35
ESF-U 10/15 AL	2 (\pm 1mm)	10	15	300	35
ESF-U 10/20 AL	2 (\pm 1mm)	10	20	300	35
ESF-U 10/30 AL	2 (\pm 1mm)	10	30	300	35
ESF-U 10/40 AL	2 (\pm 1mm)	10	40	300	35
ESF-U 10/50 AL	2 (\pm 1mm)	10	50	300	35
ESF-U 10/60 AL	2 (\pm 1mm)	10	60	300	35
ESF-U 10/70 AL	2 (\pm 1mm)	10	70	300	35
ESF-U 10/80 AL	2 (\pm 1mm)	10	80	300	35
ESF-U 10/90 AL	2 (\pm 1mm)	10	90	300	35
ESF-U 10/100 AL	2 (\pm 1mm)	10	100	300	35

Production length: 2.50 m

EPDM colours: Black, Grey, Beige.





Fit for traffic with pallet trucks or forklift trucks

Under the condition of sufficient load-bearing capacity of the ground

With solid stainless steel brackets

EPDM insert covers entire joint height

UV/Ozone consistent

High resistancy against chemicals



Slim visible surface

High pressure and deformation resistancy of the EPDM filler material

Smoothed surface for better connection with adjacent flooring

Suitable for subsequent grinding

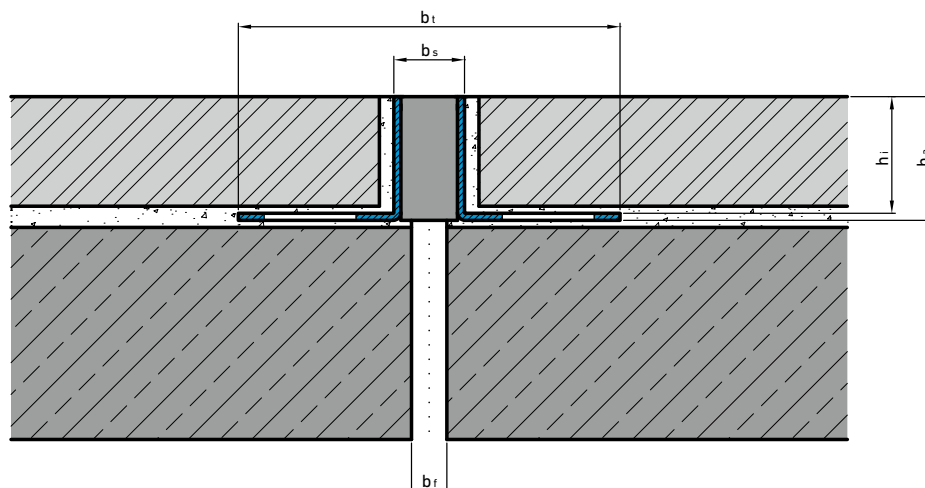
Reduction of sound impact

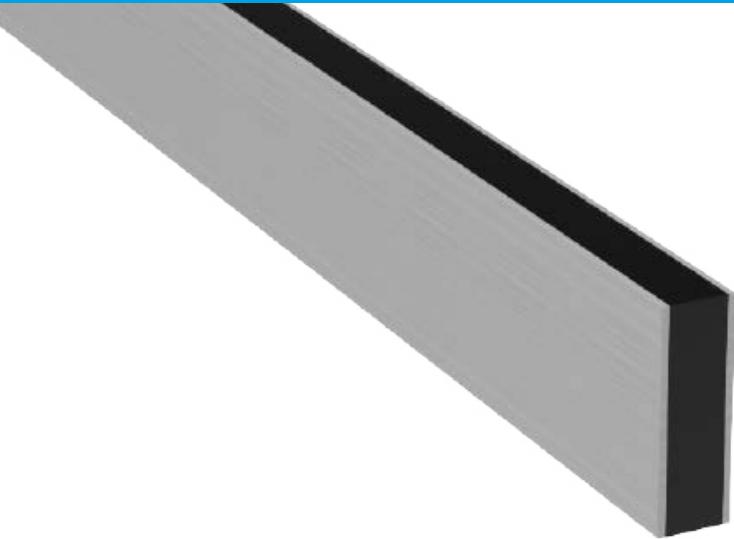
Expansion joint cover	Joint width max.	Total movement	Visible width	Joint width total	Joint height total	Clear height	Load bearing capacity  [kN]	Load bearing capacity  [kN]
	b_f [mm]	Δb_f [mm]	b_s [mm]	b_t [mm]	h_a [mm]	h_i [mm]		
ESF-L 10/17 ES	8	2 (± 1 mm)	10	52	17,5	16,5	300	35
ESF-L 10/18 ES	8	2 (± 1 mm)	10	52	18	17	300	35
ESF-L 10/19 ES	8	2 (± 1 mm)	10	52	19,5	18,5	300	35
ESF-L 10/21 ES	8	2 (± 1 mm)	10	52	21	20	300	35
ESF-L 10/23 ES	8	2 (± 1 mm)	10	52	23	22	300	35
ESF-L 10/26 ES	8	2 (± 1 mm)	10	52	26	25	300	35
ESF-L 10/31 ES	8	2 (± 1 mm)	10	52	31	30	300	35
ESF-L 10/41 ES	8	2 (± 1 mm)	10	52	41	40	300	35
ESF-L 10/51 ES	8	2 (± 1 mm)	10	52	51	50	300	35

Production length: 2.50 m

Material: 1.4301 (alloy 304)

EPDM colours: Black, Grey, Beige.





Fit for traffic with pallet trucks or forklift trucks

Under the condition of sufficient load-bearing capacity of the ground

With solid stainless steel brackets

EPDM insert covers entire joint height

UV/Ozone consistent

High resistancy against chemicals



Slim visible surface

High pressure and deformation resistancy of the EPDM filler material

Smoothed surface for better connection with adjacent flooring

Suitable for subsequent grinding

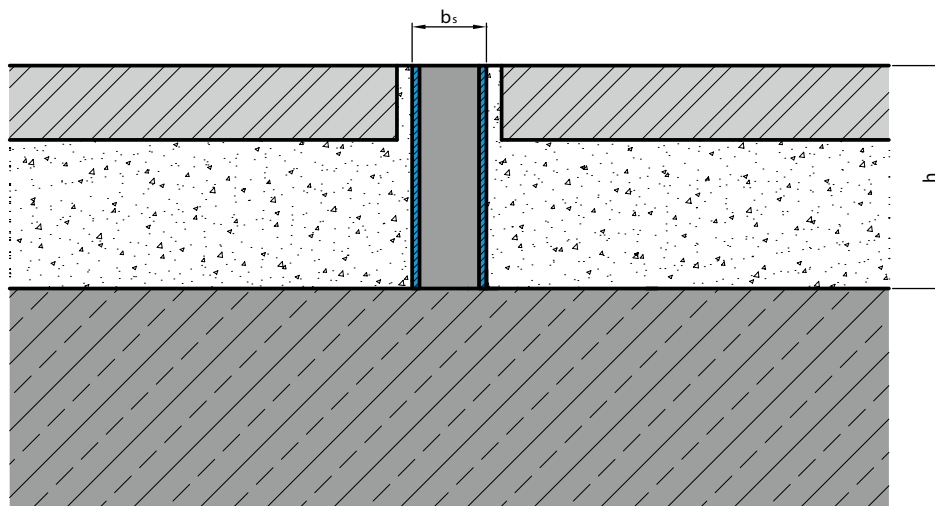
Reduction of impact noise

Expansion joint cover	Total movement	Visible width b_s [mm]	Joint height total		Load bearing capacity	Load bearing capacity
	Δb_f [mm]		h [mm]	 [kN]	 [kN]	
ESF-U 10/10 ES	2 (\pm 1mm)		10	10	300	35
ESF-U 10/15 ES	2 (\pm 1mm)		10	15	300	35
ESF-U 10/20 ES	2 (\pm 1mm)		10	20	300	35
ESF-U 10/30 ES	2 (\pm 1mm)		10	30	300	35
ESF-U 10/40 ES	2 (\pm 1mm)		10	40	300	35
ESF-U 10/50 ES	2 (\pm 1mm)		10	50	300	35
ESF-U 10/60 ES	2 (\pm 1mm)		10	60	300	35
ESF-U 10/70 ES	2 (\pm 1mm)		10	70	300	35
ESF-U 10/80 ES	2 (\pm 1mm)		10	80	300	35
ESF-U 10/90 ES	2 (\pm 1mm)		10	90	300	35
ESF-U 10/100 ES	2 (\pm 1mm)		10	100	300	35

Production length: 2.50 m

Material: 1.4301 (alloy 304)

EPDM colours: Black, Grey, Beige.

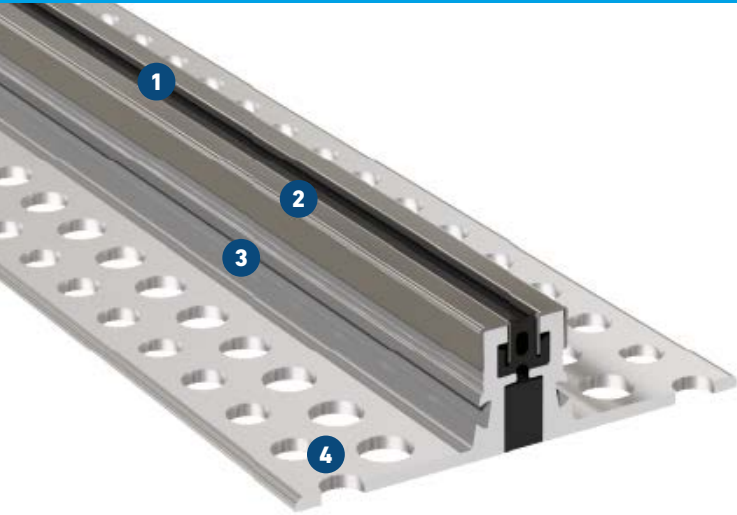


ESF 22 NI

WITH CAPPINGS MADE OF STAINLESS STEEL; FOR CONTRACTION JOINTS IN FLOORS WITH HIGH LOAD CAPACITY

MIGUTEC

JOINT COVERS FOR EXPANSION JOINTS



- 1 Flexible high quality elastomeric insert**
Hard wearing, temperature resistant (-30°C bis +120°C), replaceable
- 2 Visible surface stainless steel**
- 3 High load capacity**
Solid aluminium brackets, suitable for hard plastic tyres
- 4 MultiHole mounting brackets**
for secure fixing

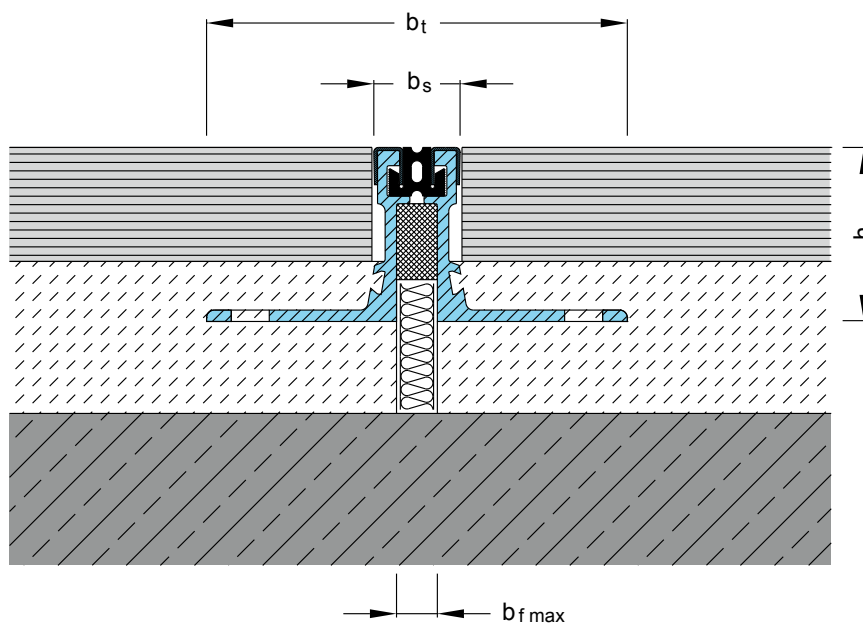
Expansion joint cover	Joint width $b_f \text{ max}$ [mm]	Total movement Δb_f [mm]	Visible width b_s [mm]	Joint width total b_t [mm]	Joint height h [mm]	Load bearing capacity [kN]	Load bearing capacity [kN]	Load bearing capacity [kN]	Load bearing capacity solid plastic tyres [kg/mm]
ESF 22/18 NI	12	4 (±2)	22	110	18		600	130	11
ESF 22/30 NI	12	4 (±2)	22	110	30		600	130	11
ESF 22/45 NI	12	4 (±2)	22	110	45		600	130	11
ESF 22/60 NI	12	4 (±2)	22	110	60		600	130	11

All information on load bearing capacity does only apply to non-floating floors.

Production length: 4 m

Material visible cover: 1.4301

Standard colors: black, grey



ESF 10 AL

FOR CONTRACTION JOINTS IN FLOORS WITH HIGH LOAD CAPACITY

MIGUTEC

JOINT COVERS FOR EXPANSION JOINTS



- 1 Solid all-metal expansion joint cover**
Hard wearing, maintenance free, long lasting
- 2 High load capacity**
Solid aluminium brackets, suitable for hard plastic tyres
- 3 Small visible surface**
Slim design, visible width of cover 10 mm only
- 4 MultiHole mounting bracket**
for secure fixing

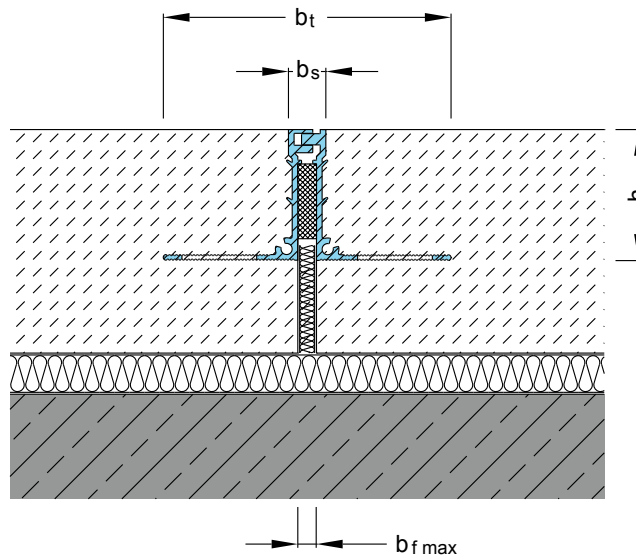
NEW!

Available in smaller height 12 mm

Expansion joint cover	Joint width $b_f \text{ max}$ [mm]	Total movement Δb_f [mm]	Visible width b_s [mm]	Joint width total b_t [mm]	Joint height h [mm]	Load bearing capacity [kN]	Load bearing capacity [kN]	Load bearing capacity [kN]	Load bearing capacity solid plastic tyres [kg/mm]
ESF 10/12 AL	10	4 (± 2)	10	77	12		600	130	6,5
ESF 10/15 AL	10	4 (± 2)	10	77	15		600	130	6,5
ESF 10/17 AL	10	4 (± 2)	10	77	17		600	130	6,5
ESF 10/25 AL	10	4 (± 2)	10	77	25		600	130	6,5
ESF 10/35 AL	10	4 (± 2)	10	77	35		600	130	6,5
ESF 10/40 AL	10	4 (± 2)	10	77	40		600	130	6,5
ESF 10/50 AL	10	4 (± 2)	10	77	50		600	130	6,5
ESF 10/60 AL	10	4 (± 2)	10	77	60		600	130	6,5

All information on load bearing capacity does only apply to non-floating floors.
Larger installation heights on request.

Production length: 4 m

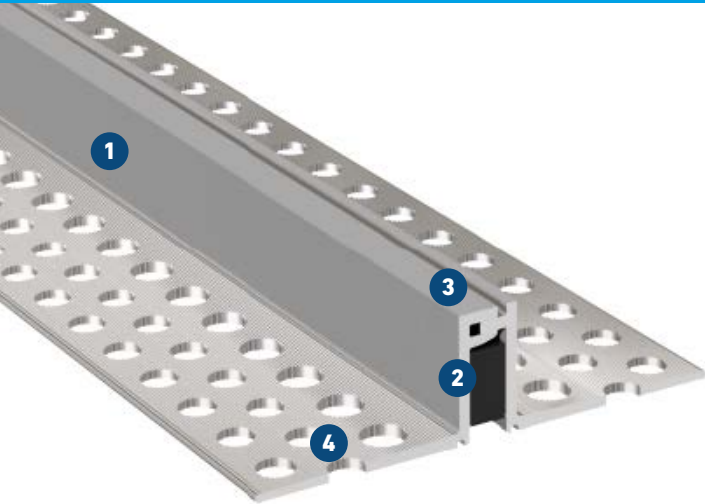


ESF 16 AL

FOR CONTRACTION JOINTS IN FLOORS WITH HIGH LOAD CAPACITY

MIGUTEC

JOINT COVERS FOR EXPANSION JOINTS

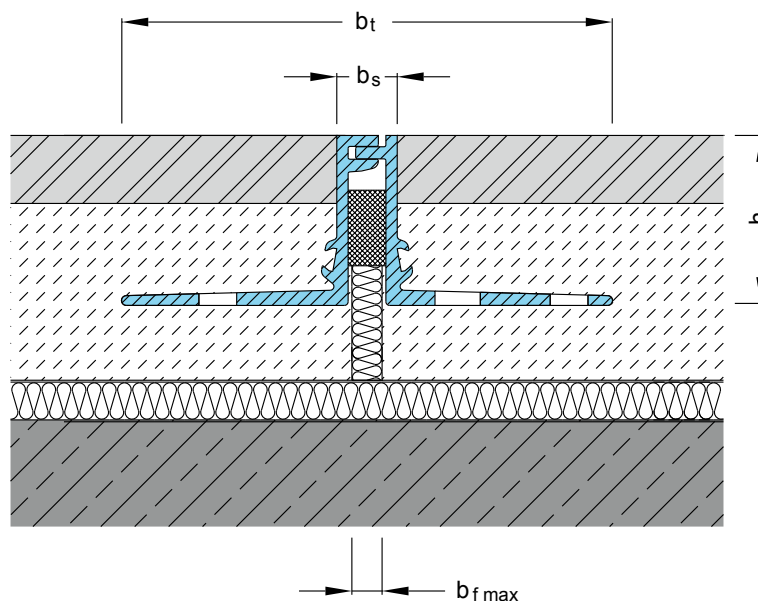


- 1 Solid all-metal expansion joint cover**
Hard wearing, maintenance free, long lasting
- 2 Small visible surface**
Slim design, visible width of cover 10 mm only
- 3 High load capacity**
Solid aluminium brackets, suitable for hard plastic tyres
- 4 MultiHole mounting bracket**
for secure fixing

Expansion joint cover	Joint width $b_f \text{ max}$ [mm]	Total movement Δb_f [mm]	Visible width b_s [mm]	Joint width total b_t [mm]	Joint height h [mm]	Load bearing capacity [kN]	Load bearing capacity [kN]	Load bearing capacity [kN]	Load bearing capacity solid plastic tyres [kg/mm]
ESF 16/35 AL	10	6 (± 3)	17	130	35		600	130	8
ESF 16/45 AL	10	6 (± 3)	17	130	45		600	130	8
ESF 16/60 AL	10	6 (± 3)	17	130	60		600	130	8

All information on load bearing capacity does only apply to non-floating floors.
Larger installation heights on request.

Production length: 4 m

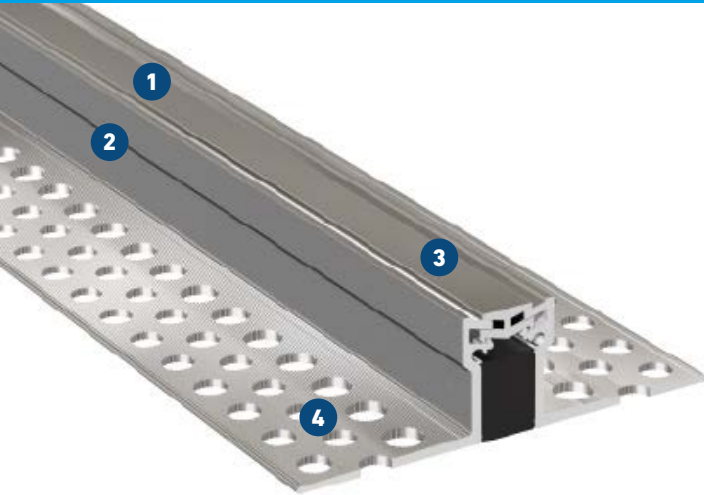


ESF 27 AL

FOR CONTRACTION JOINTS IN FLOORS WITH HIGH LOAD CAPACITY

MIGUTEC

JOINT COVERS FOR EXPANSION JOINTS

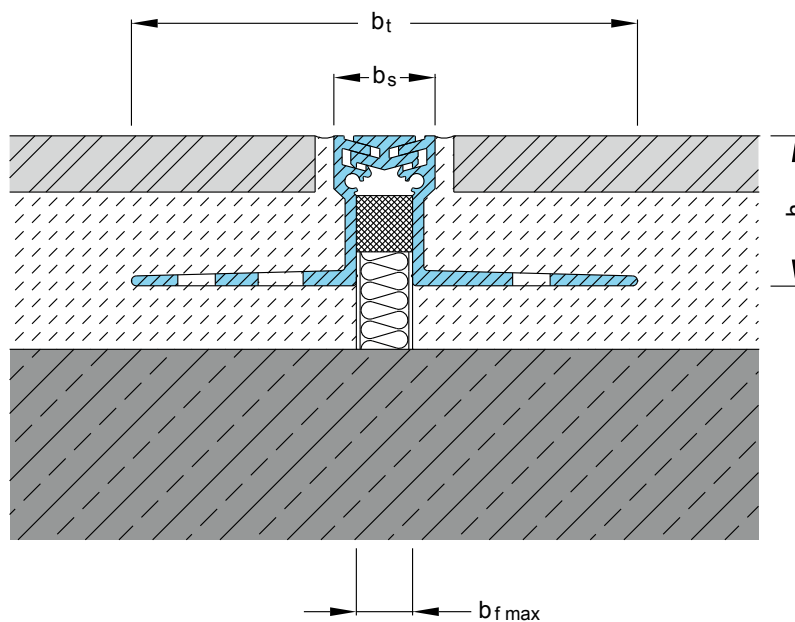


- 1 Small visible surface**
Slim design, visible width of cover 27 mm only
- 2 Solid all-metal expansion joint cover**
Hard wearing, maintenance free, long lasting
- 3 High load capacity**
Solid aluminium brackets, suitable for hard plastic tyres
- 4 MultiHole mounting bracket**
for secure fixing

Expansion joint cover	Joint width $b_f \text{ max}$ [mm]	Total movement Δb_f [mm]	Visible width b_s [mm]	Joint width total b_t [mm]	Joint height h [mm]	Load bearing capacity [kN]	Load bearing capacity [kN]	Load bearing capacity [kN]	Load bearing capacity solid plastic tyres [kg/mm]
ESF 27/25 AL	15	10 (± 5)	27	135	25		600	130	8
ESF 27/30 AL	15	10 (± 5)	27	135	31		600	130	8
ESF 27/35 AL	15	10 (± 5)	27	135	36		600	130	8
ESF 27/40 AL	15	10 (± 5)	27	135	40		600	130	8
ESF 27/55 AL	15	10 (± 5)	27	135	55		600	130	8

All information on load bearing capacity does only apply to non-floating floors.
Larger installation heights on request.

Production length: 4 m



ESF 37 AL

FOR CONTRACTION JOINTS IN FLOORS WITH HIGH LOAD CAPACITY

MIGUTEC

JOINT COVERS FOR EXPANSION JOINTS

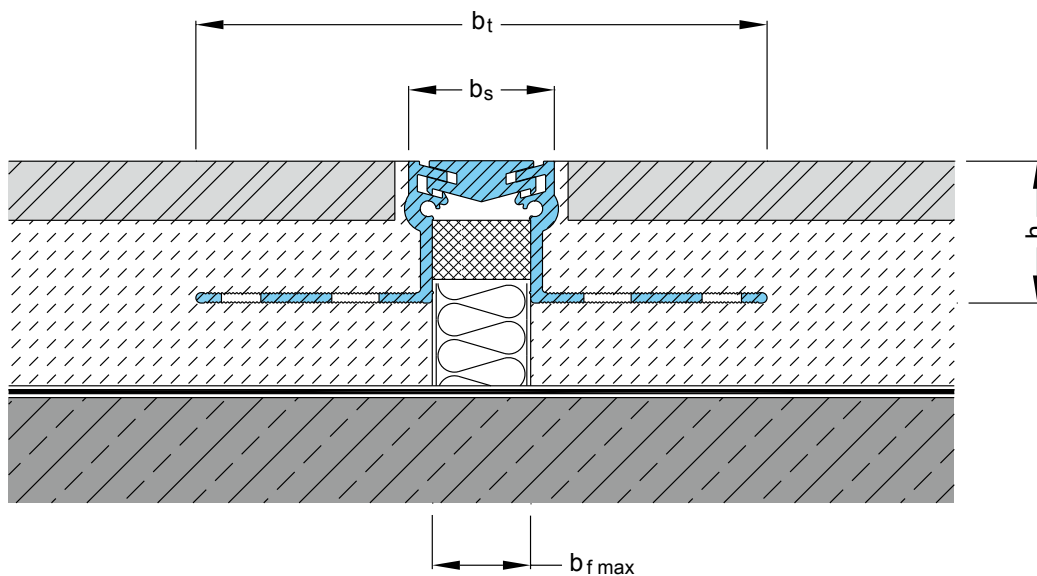


- 1 For big contraction joints**
with relative large movement capacity
- 2 Solid all-metal expansion joint cover**
Hard wearing, maintenance free, long lasting
- 3 High load capacity**
Solid aluminium brackets, suitable for hard plastic tyres
- 4 MultiHole mounting bracket**
for secure fixing

Expansion joint cover	Joint width $b_f \text{ max}$ [mm]	Total movement Δb_f [mm]	Visible width b_s [mm]	Joint width total b_t [mm]	Joint height h [mm]	Load bearing capacity [kN]	Load bearing capacity [kN]	Load bearing capacity [kN]	Load bearing capacity solid plastic tyres [kg/mm]
ESF 37/25 AL	25	10 (± 5)	37	145	25		600	130	8
ESF 37/30 AL	25	10 (± 5)	37	145	31		600	130	8
ESF 37/35 AL	25	10 (± 5)	37	145	36		600	130	8
ESF 37/40 AL	25	10 (± 5)	37	145	40		600	130	8
ESF 37/55 AL	25	10 (± 5)	37	145	55		600	130	8

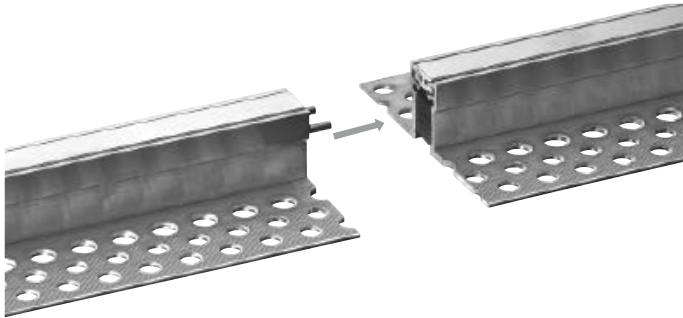
All information on load bearing capacity does only apply to non-floating floors.
Larger installation heights on request.

Production length: 4 m

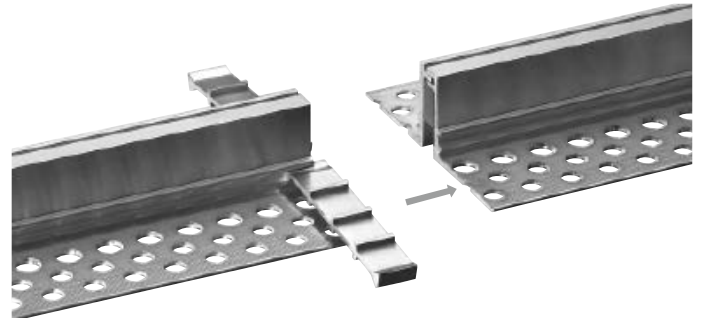


JOINT CONNECTIONS EXPANSION JOINT COVERS

The matching height and side connection of joint cover lengths is carried out by way of connecting pins that slide into place (series ESF 10, ESF 27 and ESF 37) or by way of sliding of securing anchors to the joint cover buffet (series ESF 16).



Connecting pins that slide into place,
example ESF 27/40 AL



Sliding of securing anchors,
example ESF 16/45 AL

INSTALLATION NOTE EXPANSION JOINT COVERS

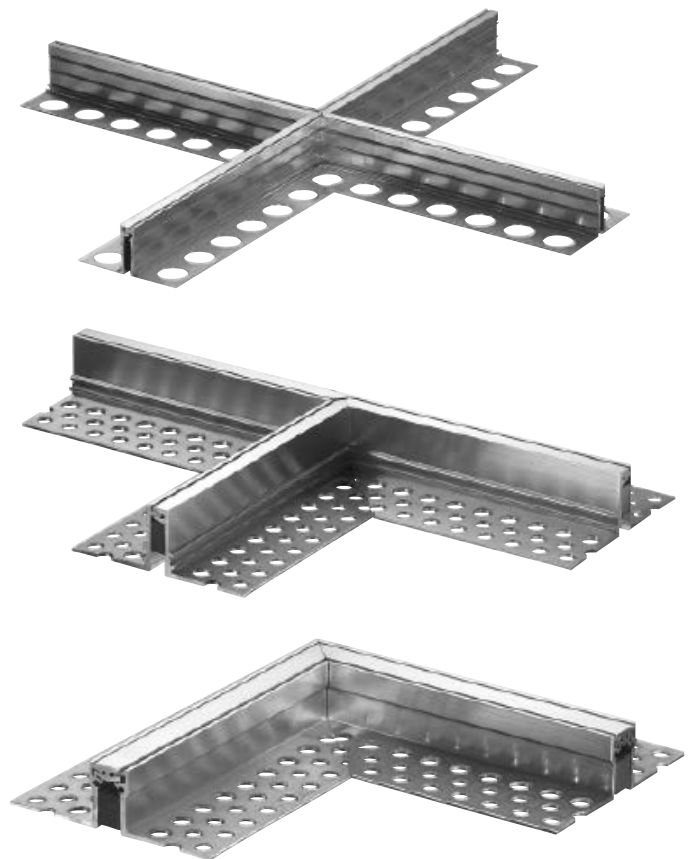
Expansion joint covers Between the cut-outs of the two aluminium angle joint covers, a joint filler is installed which is not included in the scope of delivery.

Series ESF 8, ESF 9 and ESF 10 : 5 mm,
series ESF 22 NI : 12 mm,
series ESF 16 : 10 mm,
series ESF 27 : 15 mm,
series ESF 37 : 25 mm.

The height of the joint filler depends on the required overall height. The separation must be made down to the raw concrete.

Before installing the expansion joint covers, make sure that the brackets are clean and free of grease. The slotted brackets of the joint cover are pushed into the first freshly applied mortar or screed layer and the joint cover is levelled to the correct height.

Then mortar or screed are used to complete the final surface.



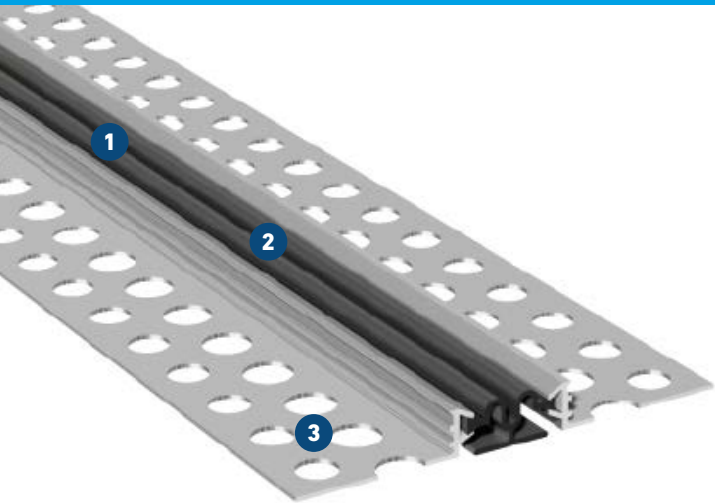
Further intersection variations are available on request

D 12 / DE 12

FOR WALLS AND CEILINGS WITH PLASTER AND TILES

MIGUTEC

JOINT COVERS FOR EXPANSION JOINTS



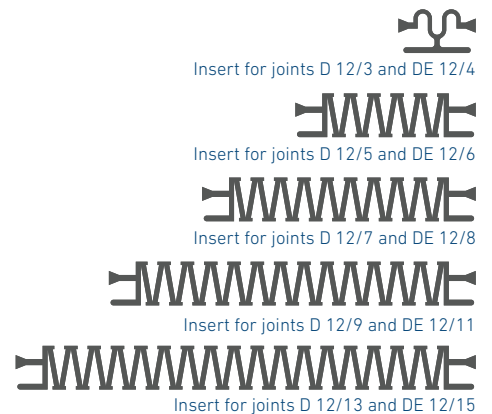
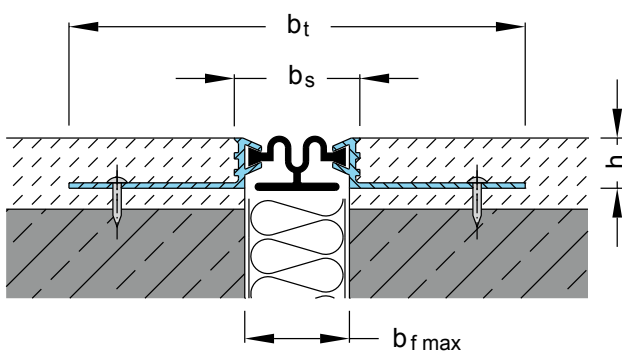
- 1 **Flexible high quality elastomeric insert**
Hard wearing, temperature resistant (-30°C to +120°C), replaceable
- 2 **Large movement capacity**
Special flexible folded insert (up to 50 m length)
- 3 **MultiHole mounting bracket**
for secure fixing

Standard version	Joint width $b_{f \max}$ [mm]	Total movement Δb_f [mm]	Visible width b_s [mm]	Joint width total b_t [mm]	Joint height h [mm]
D 12/3	30	10 (± 5)	32	110	12
D 12/5	75	40 (± 20)	75	155	12
D 12/7	100	50 (± 25)	100	180	12
D 12/9	150	100 (± 50)	150	230	12
D 12/13	200	120 (± 60)	200	280	12
D 12/14	250	180 (± 90)	250	330	12
D 12/18	350	200 (± 100)	350	430	12

Corner version	Joint width $b_{f \max}$ [mm]	Total movement Δb_f [mm]	Visible width b_s [mm]	Joint width total b_t [mm]	Joint height h [mm]
DE 12/4	30	10 (± 5)	22	73	12
DE 12/6	75	40 (± 20)	55	113	12
DE 12/8	100	50 (± 25)	80	138	12
DE 12/11	150	100 (± 50)	125	188	12
DE 12/15	200	120 (± 60)	190	238	12
DE 12/16	250	180 (± 90)	220	288	12
DE 12/22	350	200 (± 100)	390	388	12

Production length: 4 m

Standard colours: Grey. DE 12/3 and DE 12/4 also available Beige.

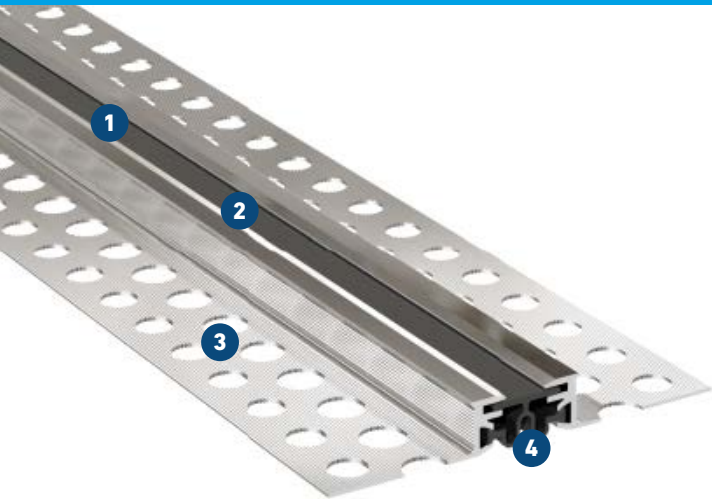


D 15 / DE 15

FOR WALLS AND CEILINGS WITH PLASTER AND TILES

MIGUTEC

JOINT COVERS FOR EXPANSION JOINTS



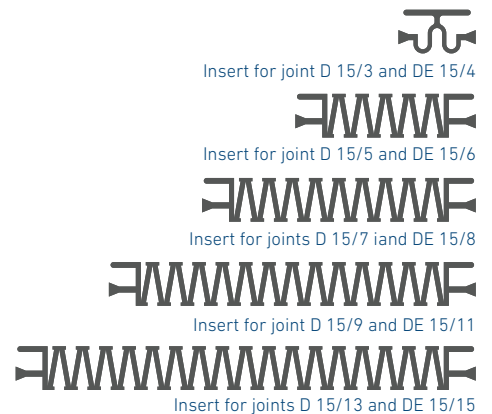
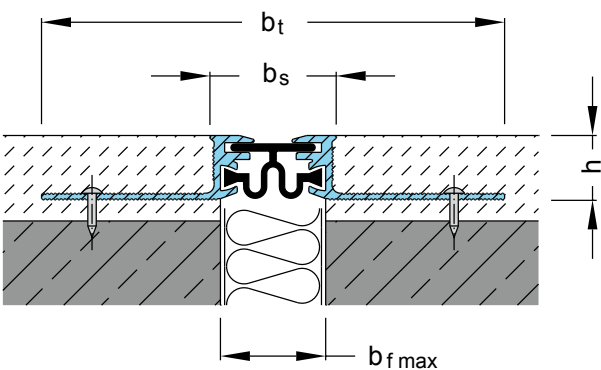
- 1 High quality elastomeric insert for in- and outdoors**
Hard wearing, temperature resistant (-30°C to +120°C), replaceable
- 2 Large movement capacity**
Special flexible folded insert (up to 50 m length)
- 3 MultiHole mounting bracket**
for secure fixing
- 4 Double protection against water**
Due to double sliding of the sealing insert within metal joint covers

Standard version	Joint width $b_f \text{ max}$ [mm]	Total movement Δb_f [mm]	Visible width b_s [mm]	Joint width total b_t [mm]	Joint height h [mm]
D 15/3	30	10 (± 5)	32	110	15
D 15/5	75	40 (± 20)	75	155	15
D 15/7	100	50 (± 25)	100	180	15
D 15/9	150	100 (± 50)	150	230	15
D 15/13	200	100 (± 50)	200	280	15
D 15/14	250	180 (± 90)	250	330	15
D 15/18	350	200 (± 100)	350	430	15

Corner version	Joint width $b_f \text{ max}$ [mm]	Total movement Δb_f [mm]	Visible width b_s [mm]	Joint width total b_t [mm]	Joint height h [mm]
DE 15/4	30	10 (± 5)	22	76	15
DE 15/6	75	40 (± 20)	55	114	15
DE 15/8	100	50 (± 25)	80	139	15
DE 15/11	150	100 (± 50)	125	189	15
DE 15/15	200	120 (± 60)	190	239	15
DE 15/16	250	180 (± 90)	220	289	15
DE 15/22	350	200 (± 100)	390	389	15

Production length: 4 m

Standard colours: Grey. DE 15/3 and DE 15/4 also available in Beige.

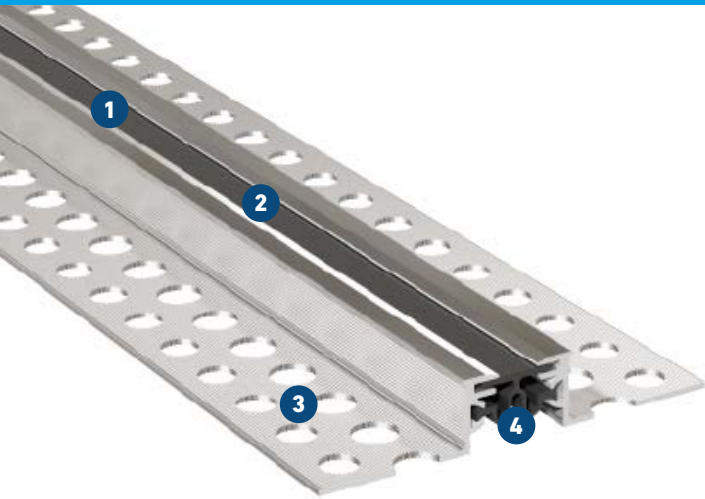


D 20 / DE 20

FOR WALLS AND CEILINGS WITH PLASTER AND TILES

MIGUTEC

JOINT COVERS FOR EXPANSION JOINTS



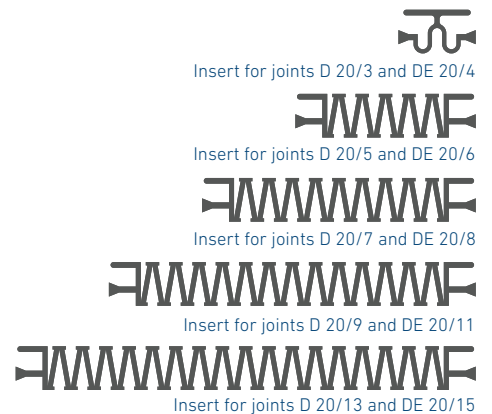
- 1 Flexible high quality elastomeric insert**
Hard wearing, temperature resistant (-30°C to +120°C), replaceable
- 2 Large movement capacity**
Special flexible folded insert (up to 50 m length)
- 3 MultiHole mounting bracket**
for secure fixing
- 4 Double protection against water**
Due to double sliding of the sealing insert within metal joint covers

Standard version	Joint width	Total movement	Visible width	Joint width total	Joint height
	$b_{f \max}$ [mm]	Δb_f [mm]	b_s [mm]	b_t [mm]	h [mm]
D 20/3	30	10 (±5)	32	111	20
D 20/5	75	40 (±20)	75	160	20
D 20/7	100	50 (±25)	100	180	20
D 20/9	150	100 (±50)	150	230	20
D 20/13	200	120 (±60)	200	280	20
D 20/14	250	180 (±90)	250	330	20
D 20/18	350	200 (±100)	350	430	20

Corner version	Joint width	Total movement	Visible width	Joint width total	Joint height
	$b_{f \max}$ [mm]	Δb_f [mm]	b_s [mm]	b_t [mm]	h [mm]
DE 20/4	30	10 (±5)	25	81	20
DE 20/6	75	40 (±20)	60	116	20
DE 20/8	100	50 (±25)	85	141	20
DE 20/11	150	100 (±50)	130	191	20
DE 20/15	200	120 (±60)	180	241	20
DE 20/16	250	180 (±90)	210	291	20
DE 20/22	350	200 (±100)	380	391	20

Production length: 4 m

Standard colours: Grey. D20/3 and DE 20/4 also available in Beige.

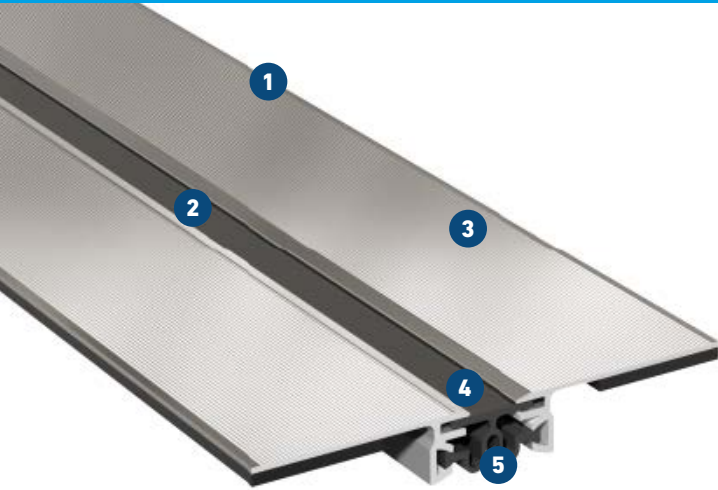


FA 25 / FAE 25

FOR COVERING JOINTS IN WALLS, CEILINGS AND FACADES – SURFACE FIXING

MIGUTEC

JOINT COVERS FOR EXPANSION JOINTS



- 1 Very flat design**
- 2 Flexible high quality elastomeric insert**
Hard wearing, temperature resistant (-30°C to +120°C), replaceable
- 3 Quick and easy installation**
Aluminium brackets with cellular rubber sealing strips to compensate for unevenness in the building surface
- 4 Double protection against water**
Due to double sliding of the sealing insert within metal joint covers
- 5 Large movement capacity**
Special flexible folded insert (up to 50 m length)

Standard version	Joint width b_f max [mm]	Total movement Δb_f [mm]	Joint width total b_t [mm]	Installation height [mm]
FA 25/3	30	10 (± 5)	111	12
FA 25/5	75	40 (± 20)	157	12
FA 25/7	100	50 (± 25)	182	12
FA 25/9	150	100 (± 50)	232	12
FA 25/13	200	120 (± 60)	282	12
FA 25/14	250	180 (± 90)	332	12
FA 25/18	350	200 (± 100)	432	12

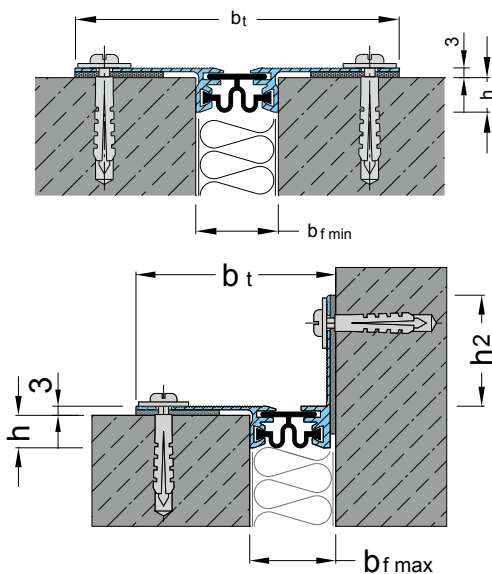
Corner version	Joint width b_f max [mm]	Total movement Δb_f [mm]	Joint width total b_t [mm]	Installation height [mm]
FAE 25/4	30	10 (± 5)	69	12
FAE 25/6	75	40 (± 20)	114	12
FAE 25/8	100	50 (± 25)	139	12
FAE 25/11	150	100 (± 50)	189	12
FAE 25/15	200	120 (± 60)	239	12
FAE 25/16	250	180 (± 90)	289	12
FAE 25/22	350	200 (± 100)	389	12

The expansion joint covers can also be supplied with holes for fixing with screws (distance 300 mm each).

Please state exact details of total joint lengths in your order. The folded insert is then supplied in one piece up to approx. 50 m for the complete joint.

Production length: 4 m

Standard colours: Grey. FA 25/3 and FAE 25/4 also available in Beige.



Insert for joints FA 25/3 and FAE 20/4



Insert for joints FA 25/5 and FAE 25/6



Insert for joints FA 25/7 and FAE 25/8



Insert for joints FA 25/9 and FAE 25/11



Insert for joints FA 25/13 and FAE 25/15

FA 12

FOR COVERING JOINTS IN WALLS, CEILINGS AND FACADES – SURFACE FIXING

MIGUTEC

JOINT COVERS FOR EXPANSION JOINTS



- 1 Flexible high quality elastomeric insert**
Hard wearing, temperature resistant (-30°C to +120°C)
- 2 Large movement capacity**
Special flexible folded insert for movements up to 20 mm
- 3 High flexibility of insert**
Suitable for straight and corner joints
- 4 Quick and easy installation**
Aluminium brackets with cellular rubber sealing strips to compensate for unevenness in the building surface

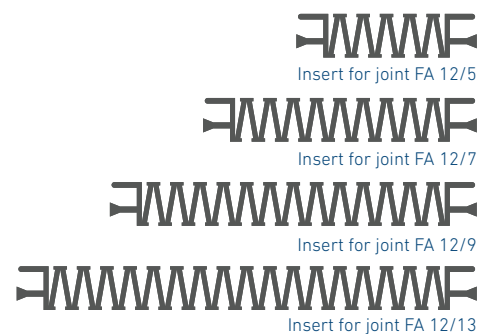
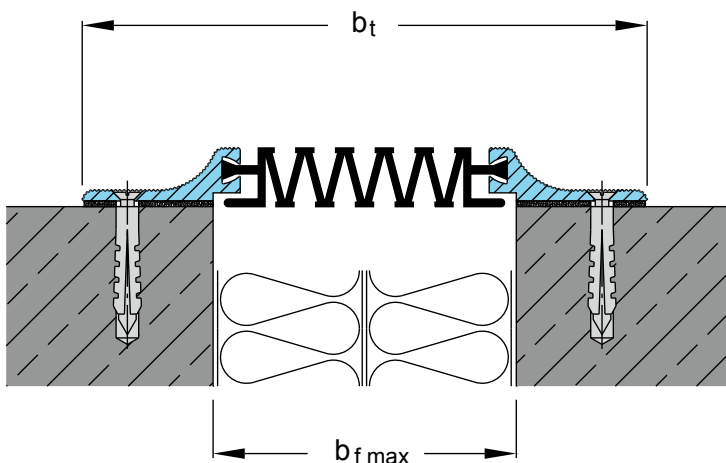
Expansion joint cover	Joint width $b_f \text{ max}$ [mm]	Total movement Δb_f [mm]	Joint width total b_t [mm]	Installation height [mm]
FA 12/5	75	40 (±20)	132	12
FA 12/7	100	50 (±25)	157	12
FA 12/9	150	100 (±50)	207	12
FA 12/13	200	120 (±60)	257	12
FA 12/14	250	180 (±90)	307	12
FA 12/18	350	200 (±100)	407	12

The expansion joint covers can also be supplied with holes for fixing with screws (distance 300 mm each).

Please state exact details of total joint lengths in your order. The folded insert is then supplied in one piece up to approx. 50 m for the complete joint.

Production length: 4 m

Standard colors: grey

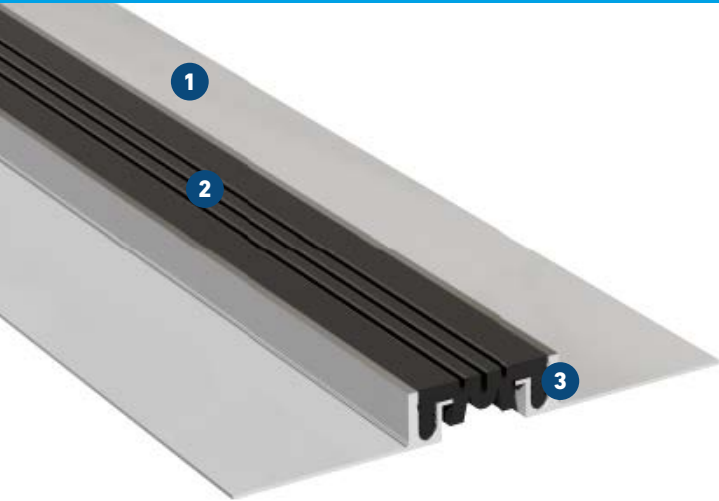


DF 35 / DF 41 / DF 50 / DF 58

FOR JOINTS IN WALLS OF SANDWICH TYPE PLASTERBOARD

MIGUTEC

JOINT COVERS FOR EXPANSION JOINTS



- 1 Easy installation**
by means of nail or screws
- 2 Flexible high quality elastomeric insert**
Hard wearing, temperature resistant (-30°C to +120°C), replaceable
- Same appearance of joints in floor and wall**
as the same type of insert is used for both applications by using inserts of series (FV 35 (DF 35) resp. FP 55 (DF50))
- 3 Solid all-metal expansion joint cover**
Hard wearing, maintenance-free, long lasting

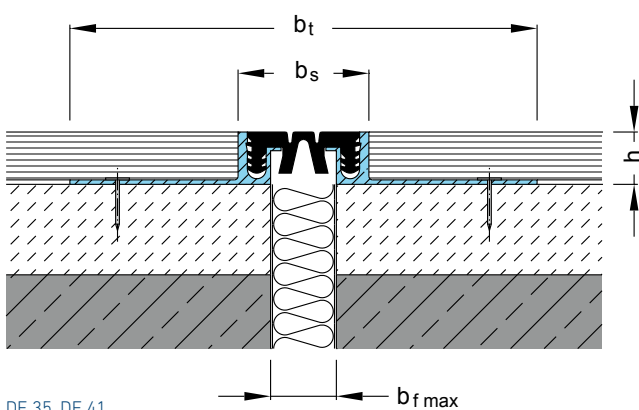
Expansion joint cover	Joint width	Total movement	Visible width	Joint width total		Joint height	Thickness of sandwich type plasterboard
	$b_f \text{ max}$ [mm]			Δb_f [mm]	b_t [mm]		
DF 35	30	10 (± 5)	35	125	14	12,5	
DF 41	35	14 (± 7)	41	131	14	12,5	
DF 50	50	16 (± 8)	48	138	14	12,5	
DF 58	58	22 (± 11)	56	146	14	12,5	

Expansions joint covers are also available with smooth insert as DFG 35 (joint movement 6 mm \pm 3 mm), DFG 41 (joint movement 6 mm \pm 3 mm), DFG 50 (joint movement 8 mm \pm 4 mm).

This expansion joint cover DF 35 is to be combined with the floor joint FV35. Same applies to DF41 with FV41 and DF50 with FP55.

Production length: 3 m

Standard colours: Black, Grey, Beige. DF 35 also in Brown.



DF 35, DF 41



DF 50, DF 58

WP 255/22

ALL-METAL EXPANSION JOINT COVERS FOR WALLS AND CEILINGS

MIGUTEC

JOINT COVERS FOR EXPANSION JOINTS



- 1 **Solid all-metal expansion joint cover**
- 2 **Hard wearing, maintenance-free, long lasting**
Large movement capacity

Designed for movement up to 100 mm
Quick and easy installation

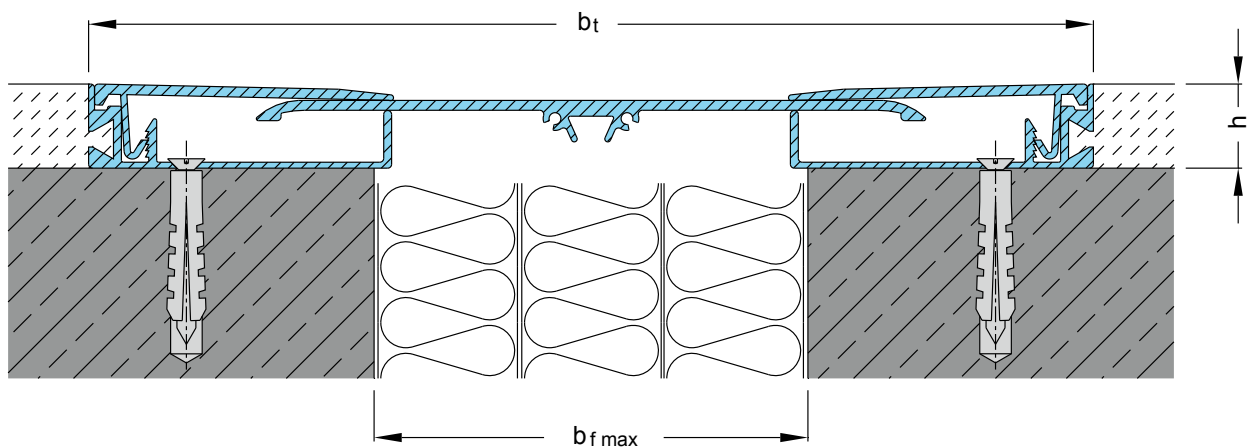
Standard version	Joint width $b_f \text{ max}$ [mm]	Total movement Δb_f [mm]	Visible width b_s [mm]	Joint width total b_t [mm]	Joint height h [mm]
WP 255/22	110	100 (± 50)	255	255	22

Corner version	Joint width $b_f \text{ max}$ [mm]	Total movement Δb_f [mm]	Visible width b_s [mm]	Joint width total b_t [mm]	Joint height h [mm]
WP 255/22 E2	205	100 (± 50)	255	277	22

This expansion joint cover is also available for different joint widths. Details on request.

Standard colour: Aluminium

Production length: 3 m



WPK 50

FOR COVERING JOINTS IN WALLS, CEILINGS AND FACADES

MIGUTEC

JOINT COVERS FOR EXPANSION JOINTS



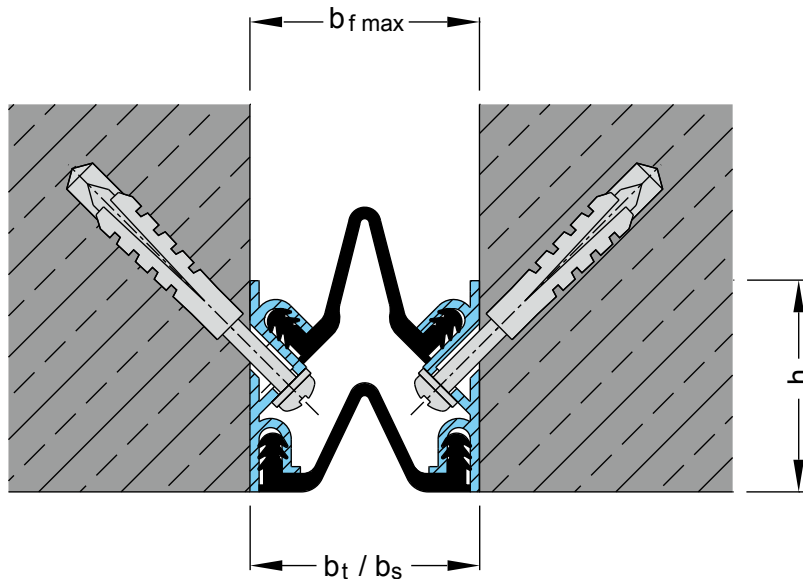
- 1 Small visible width**
 for fixing inside the joint for flush installation in walls- and ceilings
- 2 Flexible high quality elastomeric insert for internal and external use**
 Long wearing, weather resistant, temperature resistant (-30°C bis +120°C)
- Installation tool available on request**
- 3 Available without secondary seal on request**
 e.g. for internal use

Expansion joint cover	Joint width $b_f \text{ max}$ [mm]	Total movement Δb_f [mm]	Visible width b_s [mm]	Joint width total b_t [mm]	Joint height h [mm]
WPK 50	50	45 (-20/+25)	50	50	46

Please state exact details of total joint lengths in your order.

Production length: 4 m

Standard colors: black, grey



WPK 100

FOR COVERING JOINTS IN WALLS, CEILINGS AND FACADES

MIGUTEC

JOINT COVERS FOR EXPANSION JOINTS



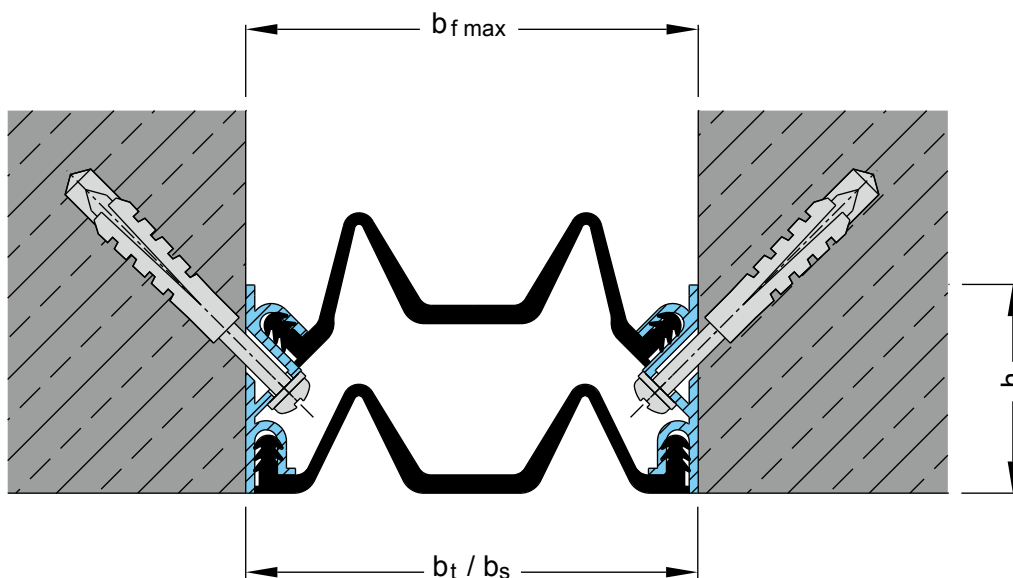
- 1 Small visible width**
 for fixing inside the joint for flush installation in walls- and ceilings
- 2 Flexible high quality elastomeric insert for internal and external use**
 Long wearing, weather resistant, temperature resistant (-30°C bis +120°C)
- Installation tool available on request**
- 3 Available without secondary seal on request**
 e.g. for internal use

Expansion joint cover	Joint width $b_f \text{ max}$ [mm]	Total movement Δb_f [mm]	Visible width b_s [mm]	Joint width total b_t [mm]	Joint height h [mm]
WPK 100	100	100 (± 50)	100	100	46

Please state exact details of total joint lengths in your order.

Production length: 4 m

Standard colors: black, grey



KF 55 / KFE 55

FOR COVERING JOINTS IN WALLS, CEILINGS AND FACADES

MIGUTEC

JOINT COVERS FOR EXPANSION JOINTS

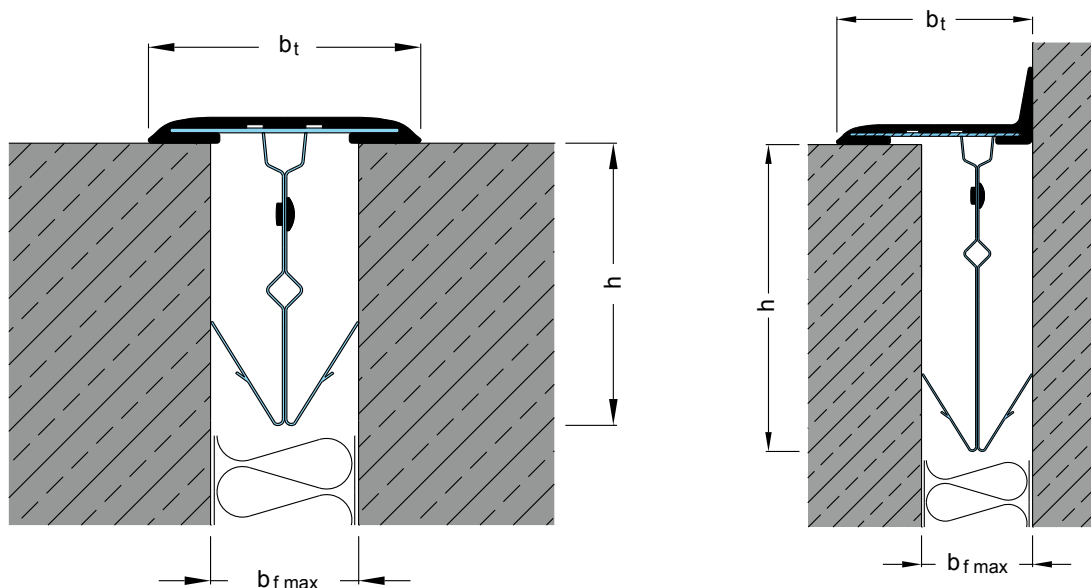


- 1 Perfect optical appearance**
 - 2 Flexible high quality elastomeric insert**
Hard wearing, weather and temperature resistant (-30°C to +120°C)
 - 3 Quick and easy installation**
- Special types of corner joints available**
- Secure and permanent fixing**
using stainless steel spring clips 20 cm each

Expansion joint cover	Joint width max.	Covering Width	Joint depth	
	$b_f \text{ max}$ [mm]	b_t [mm]	h_{min} [mm]	
KF 55/1530	15 - 35	50	40	
KF 55/3560	35 - 60 (15 - 35)	75	50	
KFE 55/1531	20 - 35	47	40	
KFE 55/3561	40 - 60	73	50	

Continuous steel insert and stainless steel clips (5 spring clips will be supplied per running meter).
 Joint covers of series KF 55/1530 and KFE 55/1531 will be normally supplied with the short standard clip K1.
 Joint covers can also be supplied with longer clip K2 $h_{\text{min}} = 75 \text{ mm}$, if desired (at extra charge).
 The KF 55/3560 expansion joint cover is also available with the K1 or K2 clips of expansion joint cover KF 55/1530 for joint width 15 - 35 mm on request. Please state exact details.

Production length: 20 m
Standard colors: grey



KF 250 / KFE 250

FOR COVERING JOINTS IN WALLS, CEILINGS AND FACADES

MIGUTEC

JOINT COVERS FOR EXPANSION JOINTS



1 Aluminium cover with stainless steel spring clips
very long durability

2 Secure and permanent fixing
using stainless steel spring clips

Quick and easy installation

Expansion joint cover	Joint width b_f max [mm]	Covering Width [mm]	Joint depth [mm]	Material	Standard color
KF 250/ 30	15-35	50	40	Aluminium	Aluminium
KFE 250/ 31	15-35	40	40	Aluminium	Aluminium
KF 250/ 70*	15-35	70	40	Aluminium	Aluminium
KFE 250/ 71	15-35	50	40	Aluminium	Aluminium
KF 250/100*	15-35	100	40	Aluminium	Aluminium
KFE 250/101**	35-60	75	70	Aluminium	Aluminium
KF 250/150**	35-80	150	70	Aluminium	Aluminium
KF 250/170**	35-80	170	70	Aluminium	Aluminium

* Special clips for joint width 35-80 mm (joint depth min. 70 mm) are available on request.

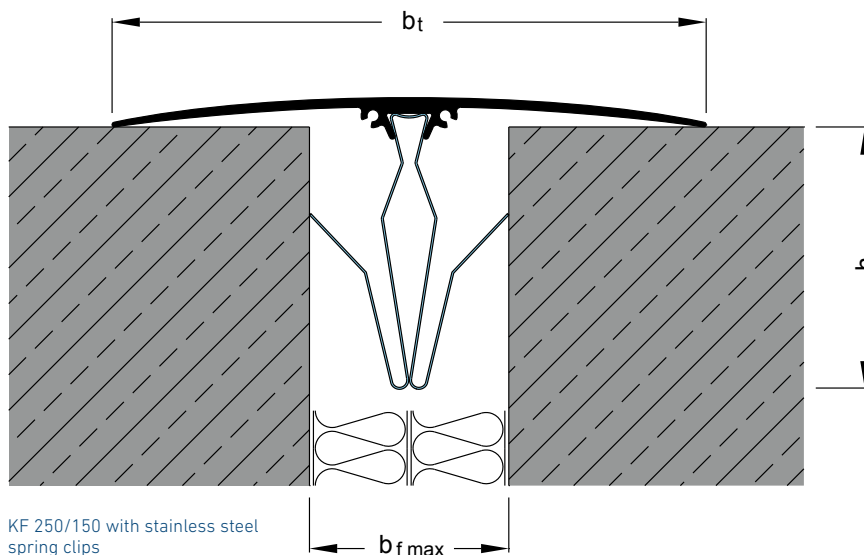
** Expansion joint covers are only available with special clips.

4 spring clips will be supplied per length of 3 m for expansion joint covers KF 250/30 to KFE 250/71.

6 spring clips are provided for expansion joint covers KF 250/100 to KF 250/150 and 8 spring clips for KF 250/170.

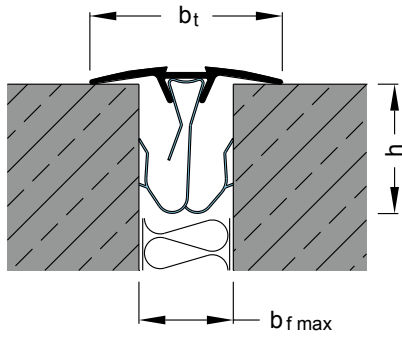
The aluminium expansion joint covers can be factory-provided anodized or powder coated for significant orders.

Production length: 3 m

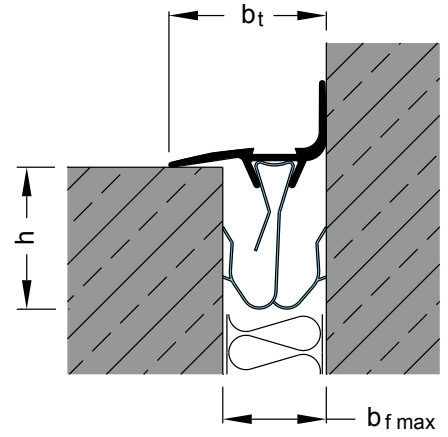


INSTALLATION EXAMPLES

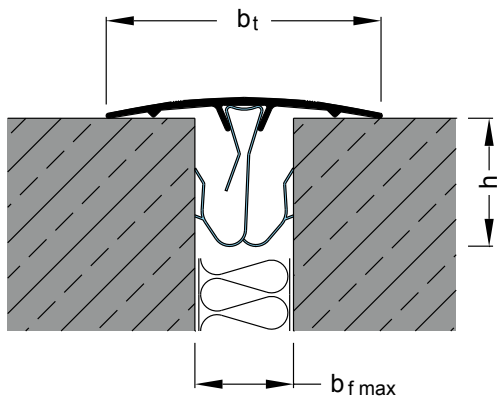
KF 250/30



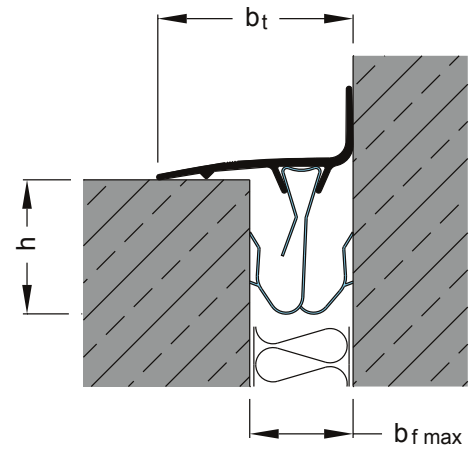
KFE 250/31



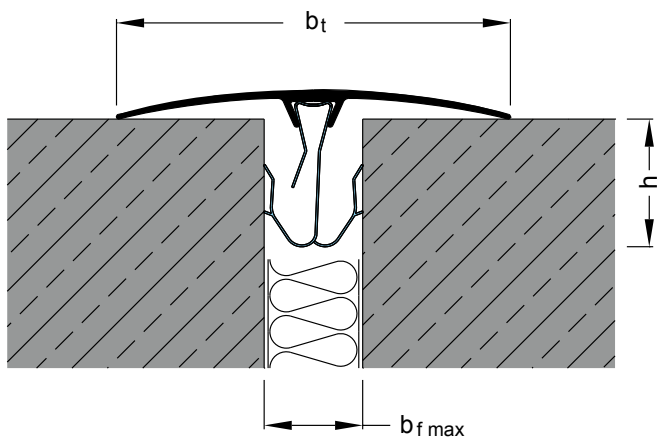
KF 250/70



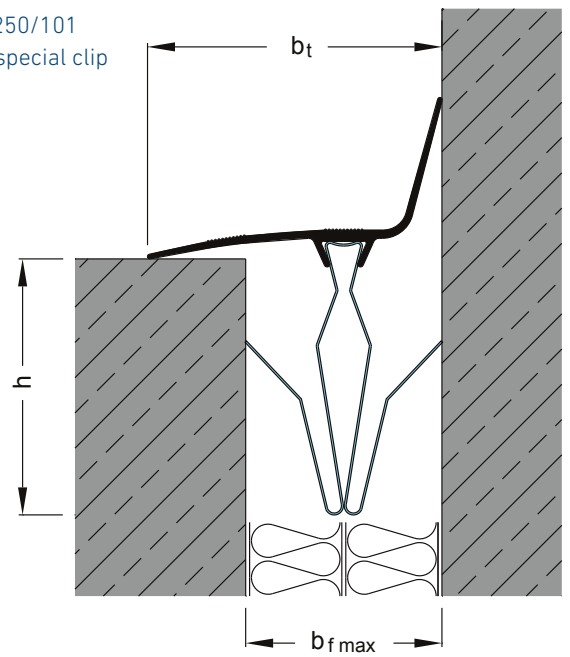
KFE 250/71



KF 250/100



KFE 250/101
with special clip



FB 20

FOR PRECAST CONSTRUCTION AND FAIR-FACED IN-SITU CONCRETE

MIGUTEC

JOINT COVERS FOR EXPANSION JOINTS

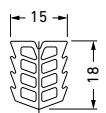


- 1 High quality EPDM material**
Hard wearing, temperature resistant (-30°C to +120°C)
- 2 Easy installation, secure fixing and good surface pressure**
by special design of the side barbs
- 3 High durability**
due to excellent permanent elasticity of EPDM material
- 4 Excellent sound and thermal insulation**
due to speciall cellular design of the expansion joint

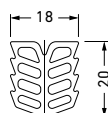
Expansion joint cover	Joint width required b_s [mm]	Total movement [mm]	Joint depth h_2 [mm]
FB 20/1518	10	6	25
FB 20/1820	12	6	25
FB 20/2122	15	7	30
FB 20/2422	18	7	30
FB 20/3028	20	12	35
FB 20/4030	28	14	45
FB 20/5038	35	20	55
FB 20/6048	45	20	65

Production length: 20 m
Standard colors: black, grey

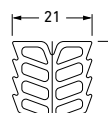
FB 20/1518



FB 20/1820



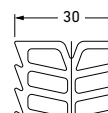
FB 20/2122



FB 20/2422



FB 20/3028



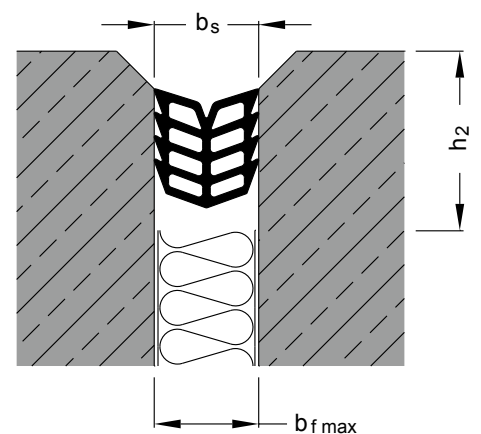
FB 20/4030

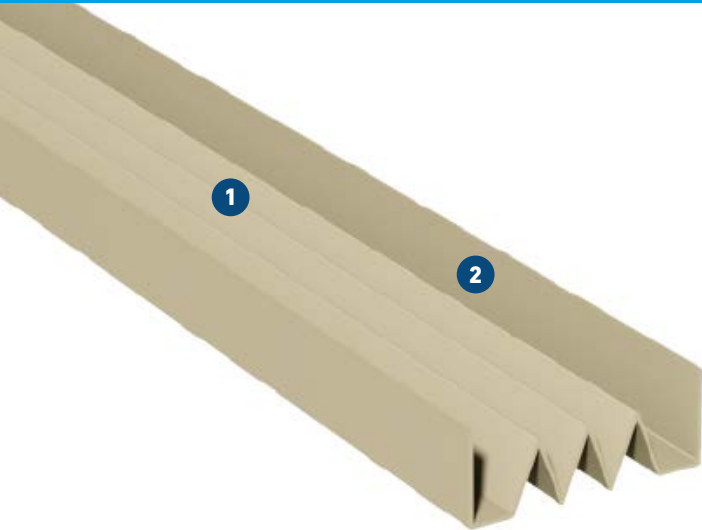


FB 20/5038



FB 20/6048





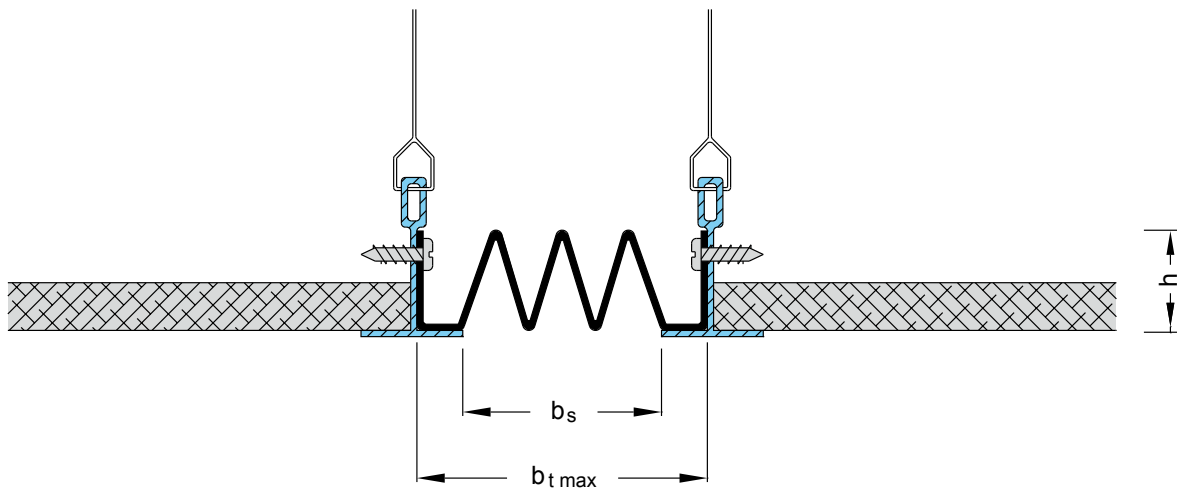
Application for suspended ceilings

- 1 Simple handling**
Perfect combination of rigid edges and flexible concertina-part
- 2 Easy application**
Light weight allows fast overhead installation

Expansion joint cover	Total movement Δb_f [mm]	Visible width b_s [mm]	Joint width total b_t [mm]	Joint height h [mm]
CP 25/25	50 (± 25)	25	50	25
CP 50/25	70 (± 35)	50	75	25

Visible width of expansion joint depends on ceiling construction.

Production length: 4 m
Standard colour: Beige.



FA 15 / FA 135

SPECIAL EXPANSION JOINTS FOR SEALING JOINTS
(NOT SUITABLE FOR EXPANSION JOINT)

MIGUTEC

JOINT COVERS FOR EXPANSION JOINTS



1 Special PVC

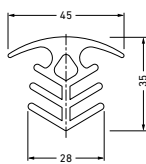
Long wearing, weather resistant, temperature resistant (-30°C bis +120°C), extensively resistant to oils, acids and bitumen.

Standard version	Joint width max. b_f [mm]	Joint width total b_t [mm]	Corner version	Joint width max. b_f [mm]	Joint width total b_t [mm]	
FA 15/4535	20	45	FAE 15/3035	20	38	
FA 15/5538	25	55	FAE 15/3638	25	49	
FA 135/20	8	27	FAE 135/21	8	30	
FA 135/35	10	35				

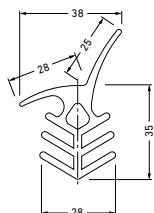
Please always test the suitability by conducting a test installation. These expansion joint covers must be glued in the joint to perform. Further special expansion joint covers on request.

Production length: 4 m

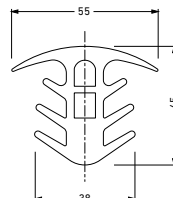
Standard colors: grey



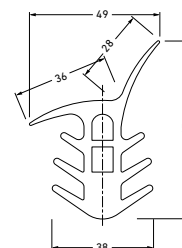
FA 15/4535
Material: PVC
Joint width max.: 20 mm



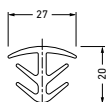
FAE 15/3035 (for corner joints)
Material: PVC
Joint width max.: 20 mm



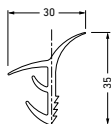
FA 15/5538
Material: PVC
Joint width max.: 25 mm



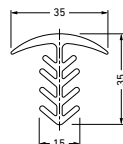
FAE 15/3638 (for corner joints)
Material: PVC
Joint width max.: 25 mm



FA 135/20
Material: PVC
Joint width max.: 8 mm



FAE 135/21 (for corner joints)
Joint width max.: 8 mm



FA 135/35
Material: PVC
Joint width max.: 10 mm

WALL CONNECTIONS CORNER VERSIONS

These corner versions are available just as well for: FK, FKN, FT, FTN, FG, FNG et 55

Expansion joint cover	E1					E3				E4				
	b _t	b _s	b _{fmax}	h _E	h ₂	b _t	b _{sbs}	b _{fmax}	h _{EhE}	b _t	b _s	b _{fmax}	h _E	h ₂
FL 21 / FLG 21	–	–	–	–	–	53	23	21	32	53	23	21	54	40
FLK 21 / FLT 21	–	–	–	–	–	53	21	21	32	53	21	21	54	37/35
FV 35 / FG 35	87	34	40	55	40	74	37	28	32	74	36	28	55	40
FK 35 / FT 35	87	32	40	55	37/35	74	35	28	32	74	34	28	55	37/35
FV 41 / FG 41	92	39	46	55	40	79	42	33	32	79	41	33	55	40
FP 55 / FPG 55	113	50	63	55	40	104	56	54	35	101	53	51	62	44
FK 55	113	44	63	55	37	104	50	54	35	101	47	51	62	41
FP 55-4S	122	59	72	55	40	113	65	63	35	110	62	60	62	44
FP 55 MS-4S	122	60	72	55	39	113	66	63	35	110	63	60	62	43
FP 65	145	60	71	55	40	136	66	63	45	134	64	60	70	45
FP 65 NI	145	61	71	55	39	136	67	63	45	134	65	60	70	44
FGH 65	–	–	–	–	–	134	67	60	37	136	71	64	81	44
FP 85	–	–	–	–	–	155	85	81	45	153	83	79	70	45
FP 105	–	–	–	–	–	182	112	108	45	180	110	106	70	45
ES 20 / ESG 20	–	–	–	–	–	70	22	20	35	70	22	20	75	40
ES 33 / ESG 33	–	–	–	–	–	73	35	33	35	73	35	33	75	40
ES 39 / ESG 39	–	–	–	–	–	78	40	38	35	78	40	38	75	40
ES 60 / ESG 60	–	–	–	–	–	108	62	58	32	109	63	59	75	43
FN 20 / FNG 20	–	–	–	–	–	*	*	*	*	61	61	23	55	40
FKN 20 / FTN 20	–	–	–	–	–	*	*	*	*	61	21	23	55	37/35
FN 35 / FNG 35	87	72	49	55	40	*	*	*	*	75	75	37	55	40
FKN 35 / FTN 35	87	32	49	55	37/35	*	*	*	*	75	34	37	55	37/35
FN 41 / FNG 41	92	77	54	55	40	*	*	*	*	80	80	42	55	40
FN 50 / FNG 50	122	107	62	55	40	*	*	*	*	110	110	50	62	44
FKN 50	122	44	62	55	37	*	*	*	*	110	47	50	62	41
FN 58	131	116	71	55	40	*	*	*	*	119	119	59	62	44
FN 65	155	140	82	55	40	*	*	*	*	145	145	74	71	45
FN 85	–	–	–	–	–	*	*	*	*	164	164	93	71	45
FN 110	–	–	–	–	–	–	–	–	–	192	192	75	70	43

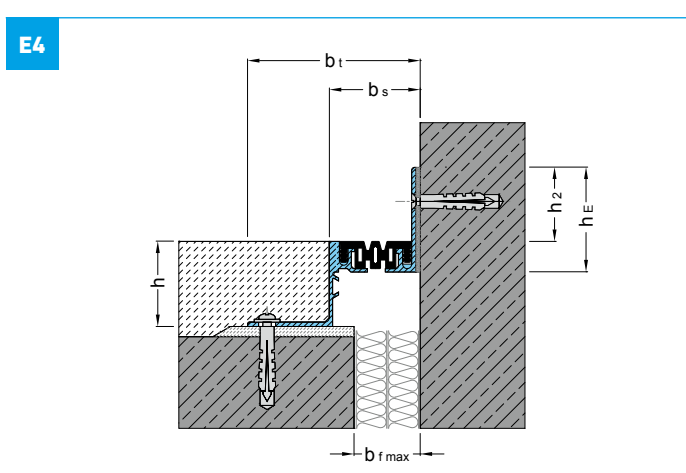
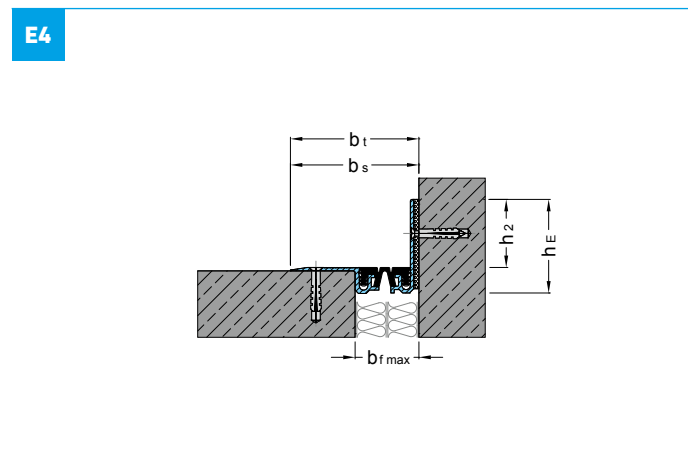
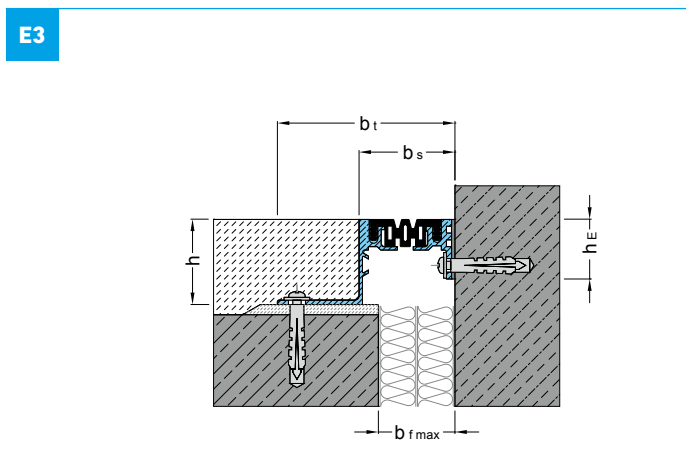
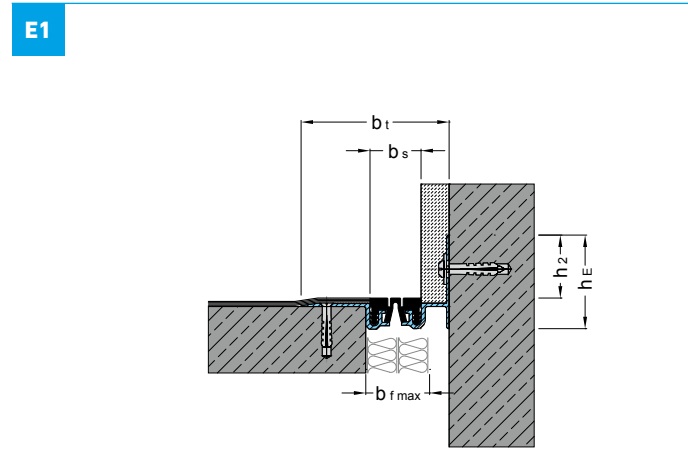
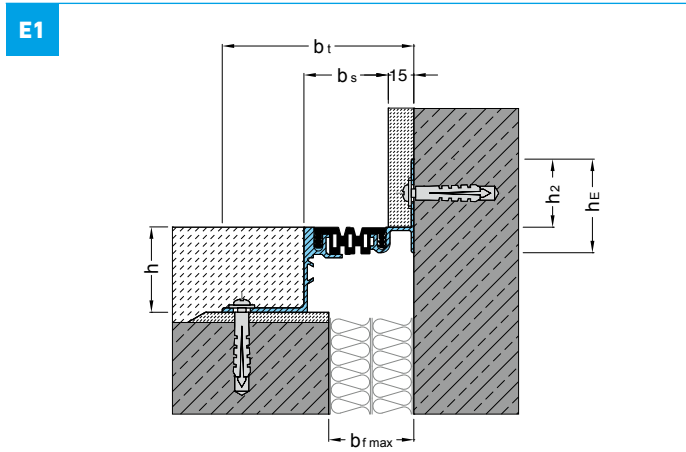
* after consultation

WALL CONNECTIONS CORNER VERSIONS

These wall connection versions are also available for the products lines: FK, FKN, FT, FTN, FG, FNG et FPG 55

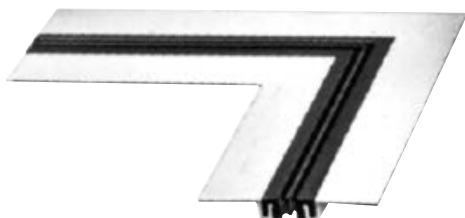
**FL 21, FV 35, FV 41,
ES 20, ES 33, ES 39, ES 60
FP 55, FP 55 4S, FP 55 MS/NI,
FP 65, FP 85, FP 105**

**FN 20, FN 35, FN 41, FN 50,
FN 58, FN 65, FN 85**

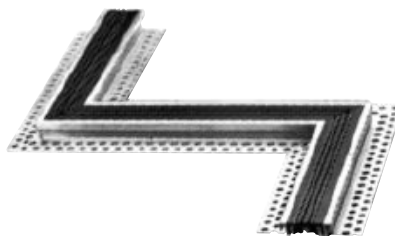


MOULDED PARTS EXAMPLES

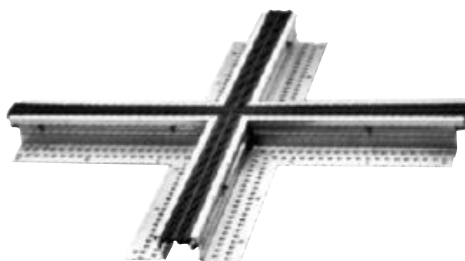
1



2



3



4



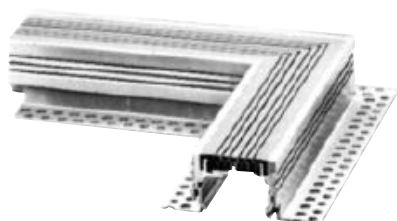
5



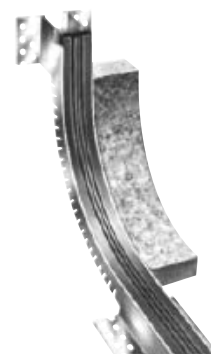
6



7



8



LEGAL NOTES

All specifications in this catalogue, in particular the suggestions for processing and use of our products correspond to our current knowledge state. Despite the greatest possible care, we are not able to guarantee that the non-binding information is without errors.

Further, the installation details shown in this catalogue are theoretical in nature and do not represent real objects. We reserve the right to make technical changes.

The current version requested from us or downloaded from www.migua.com applies.

The texts and images are subject to copyright.

MIGUA Fugensysteme GmbH

Dieselstrasse 20
42489 Wuelfrath, Germany

Phone +49 2058 774 0

Fax +49 2058 774 48

Email info@migua.de

Web www.migua.com