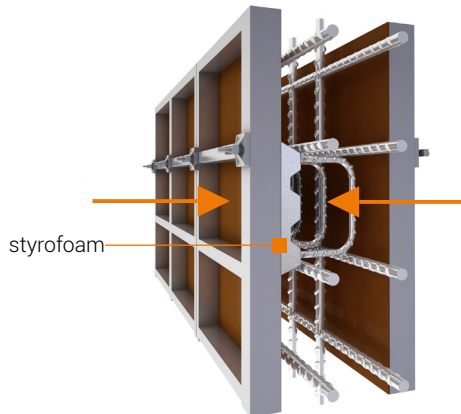


General recommendations:

- During the installation observe the compulsory security standards - wear protective gloves and work clothes with long sleeves.
- During transport and storage, protect against damage.

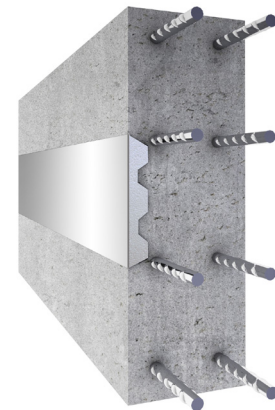
STEP 1

Installation of Ubox RSH to formworks.
Connecting anchor channel with reinforcement.



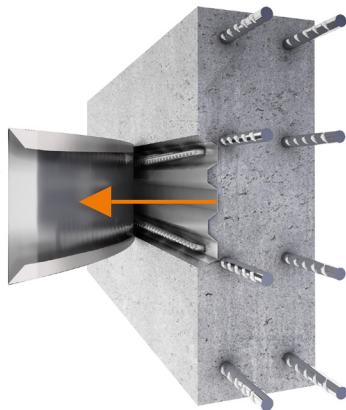
STEP 2

Closing formworks and concreting.



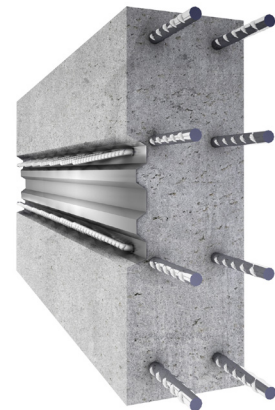
STEP 3

Removal of box cover.



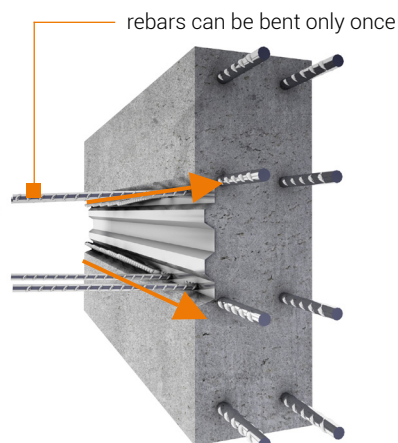
STEP 4

Expansion of bendable reinforcement.



STEP 5

Bending the exposed rebars.



STEP 6

Connecting steel bars with rebars of consecutive elements. Concreting.

